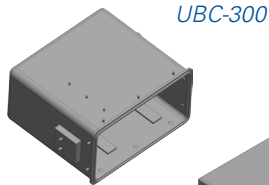


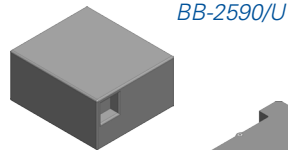
# BP-300-BLK Backpack System



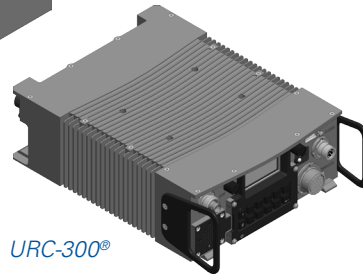
UBP-300-BLK



UBC-300



BB-2590/U



URC-300®



PTHS-200

PTHS-300

PTHS-250

## USER-DEFINED EQUIPMENT FOR AUDIO DEVICE

## BACKPACK SYSTEM

Supplied, User-Defined and Optional Equipment

### SUPPLIED EQUIPMENT:

- Qty. Description
- 1 URC-300® VHF/UHF Transceiver
- 1 UBC-300 Battery Case
- 1 BB-2590/U Rechargeable Battery w/SMBus
- 1 UVU-100 VHF/UHF Portable Antenna
- 1 UBP-300-BLK Black Backpack

### USER-DEFINED EQUIPMENT:

- User must select the desired audio device at time of quote (separately priced)
  - PTHS-200 Headset
  - PTHS-250 H-250 Handset
  - PTHS-300 Speaker Microphone
- User must select the desired battery charging device at time of quote (separately priced) <sup>(1)</sup>
  - UBS-110 Portable Battery Charger
  - UDC-300 DC Power Cable
  - UAC-300 AC/DC Power Supply

### OPTIONAL EQUIPMENT:

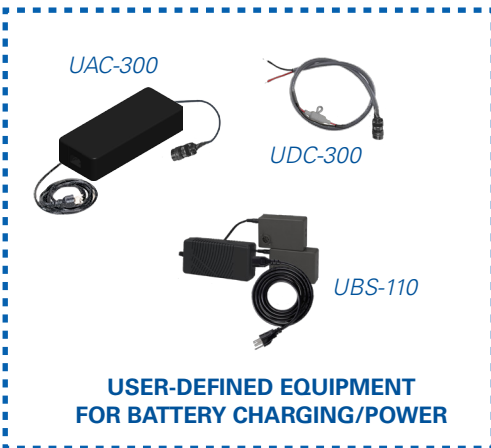
- Audio
  - PTHS-xxx Additional Audio Device (see list above)
- Power
  - BB-2590/U Additional Battery
  - Additional Battery Charging Devices (see list above)
- Backpack
  - UBP-300-WLD Woodland Backpack
  - UBP-300-DCF Desert Camouflage Backpack

### FUTURE FIELD-UPGRADEABLE FUNCTIONS:

- AM Cipher Text Data (CT)
- FM (PT Voice and CT Data)
- 30-90 MHz Frequency Band Extension (FM only)
- Adaptive Noise Reduction (ANR) Machine Learning Algorithm

### NOTES:

(1) The DC cable or AC/DC power supply will power the radio and simultaneously charge the battery while it is installed on the radio and the radio is powered on. The portable battery charger recharges the BB-2590/U battery separate from the radio and cannot be used to power the radio.



UAC-300

UDC-300

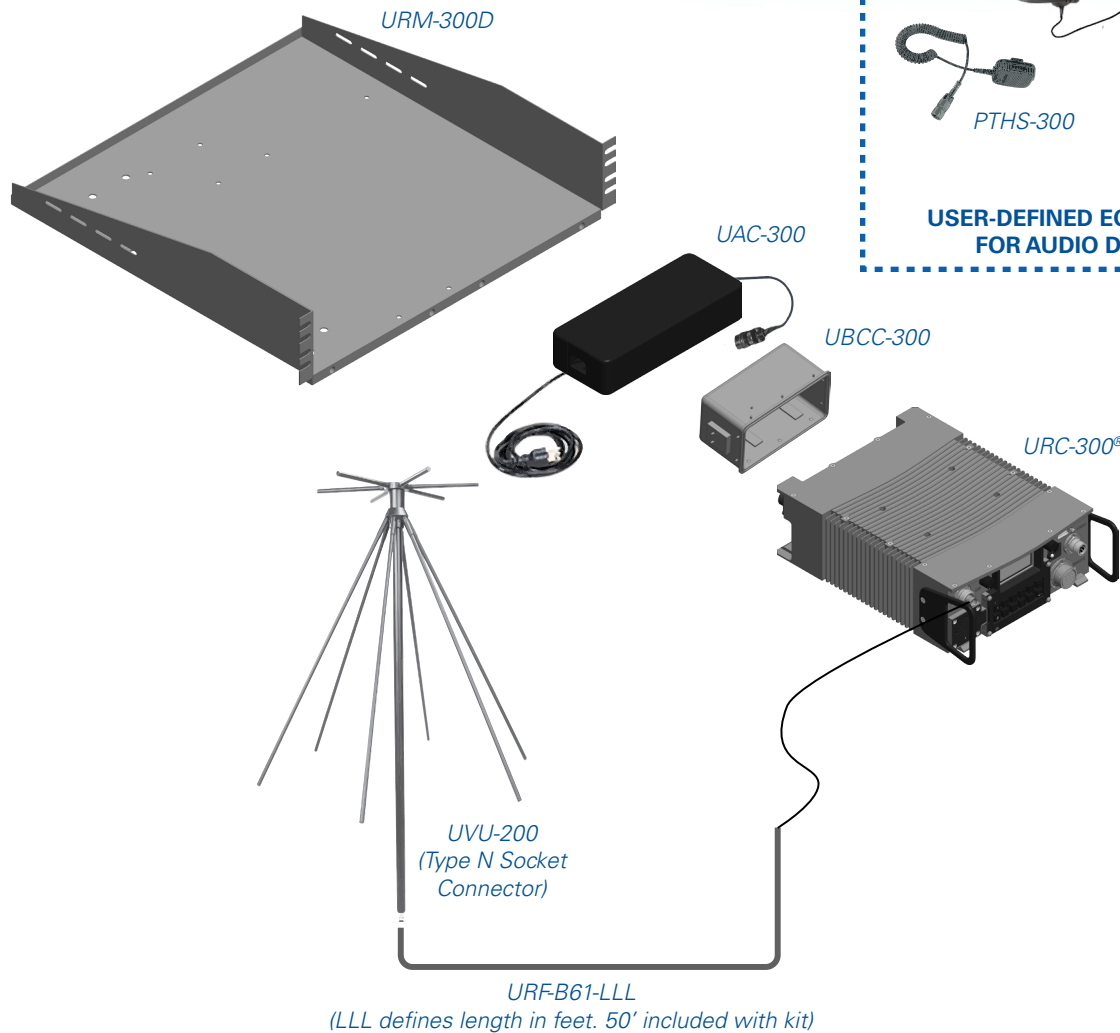
UBS-110

## USER-DEFINED EQUIPMENT FOR BATTERY CHARGING/POWER

**GENERAL DYNAMICS**  
Mission Systems

Phone 800-424-0052 • URC300info@gd-ms.com • gdmissionsystems.com/urc300

# RM-100 10 Watt Base Station System



## 10 WATT BASE STATION SYSTEM

Supplied, User-Defined and Optional Equipment

### SUPPLIED EQUIPMENT:

- Qty. Description
- 1 URC-300® VHF/UHF Transceiver
- 1 URM-300D Rack Mount Tray (Deep)
- 1 UAC-300 AC/DC Power Supply
- 1 UBCC-300 Battery Connector Cover
- 1 UVU-200 VHF/UHF Base Station Antenna
- 1 URF-B61-050 50' Heliax Antenna Cable<sup>(1)</sup>

### USER-DEFINED EQUIPMENT:

- User must select the desired audio device at time of quote (separately priced)
- PTHS-200 Headset
- PTHS-250 H-250 Handset
- PTHS-300 Speaker Microphone

### OPTIONAL EQUIPMENT:

- Audio
- PTHS-xxx Additional Audio Device (see list above)
- Power
- UDC-300 DC Power Cable (power radio directly from DC source)
- RF and Antenna
- URF-B61-LLL Custom Length RF Cable<sup>(1)</sup>
- Additional, compatible antennas and cables (contact General Dynamics for information)

### FUTURE FIELD-UPGRADEABLE RADIO FUNCTIONS:

- AM Cipher Text Data (CT)
- FM (PT Voice and CT Data)
- 30-90 MHz Frequency Band Extension (FM only)
- Adaptive Noise Reduction (ANR) Machine Learning Algorithm

### FUTURE OPTIONAL ANCILLARIES:

- Remote Control Unit (RCU) – Rack mountable, Base Station

### NOTES:

(1) Cables with greater lengths available in 50' increments up to 300'.

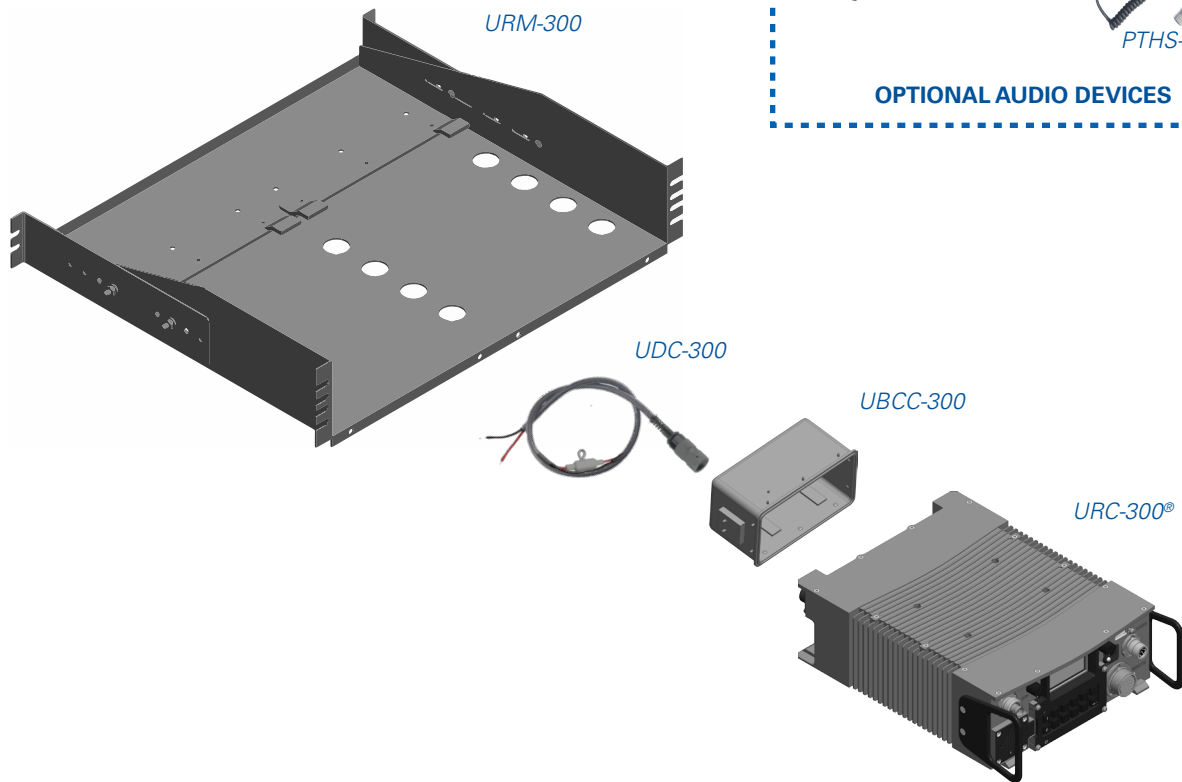
**GENERAL DYNAMICS**  
Mission Systems

Phone 800-424-0052 • URC300info@gd-ms.com • gdmissionsystems.com/urc300

©2022 General Dynamics. All rights reserved. General Dynamics reserves the right to make changes in its products and specifications at anytime and without notice. All trademarks indicated as such herein are trademarks of General Dynamics. All other product and service names are the property of their respective owners. ® Reg. U.S. Pat. and Tm. Off.

H-RM100-10WBS-09-0122

# RM-105 10 Watt Base Station System



## 10 WATT BASE STATION SYSTEM

Supplied, User-Defined and Optional Equipment

### SUPPLIED EQUIPMENT:

- Qty. Description
  - 1 URC-300® VHF/UHF Transceiver
  - 1 URM-300 Rack Mount Tray
  - 1 UDC-300 DC Power Cable
  - 1 UBCC-300 Battery Connector Cover

### OPTIONAL EQUIPMENT:

- Audio
  - PTHS-200 Headset
  - PTHS-250 H-250 Handset
  - PTHS-300 Speaker Microphone
- Power
  - UAC-300 AC/DC Power Supply (power radio from AC source)
- RF and Antenna
  - Additional, compatible antennas and cables (contact General Dynamics for information)

### FUTURE FIELD-UPGRADEABLE RADIO FUNCTIONS:

- AM Cipher Text Data (CT)
- FM (PT Voice and CT Data)
- 30-90 MHz Frequency Band Extension (FM only)
- Adaptive Noise Reduction (ANR) Machine Learning Algorithm

### FUTURE OPTIONAL ANCILLARIES:

- Remote Control Unit (RCU) – Rack mountable, Base Station

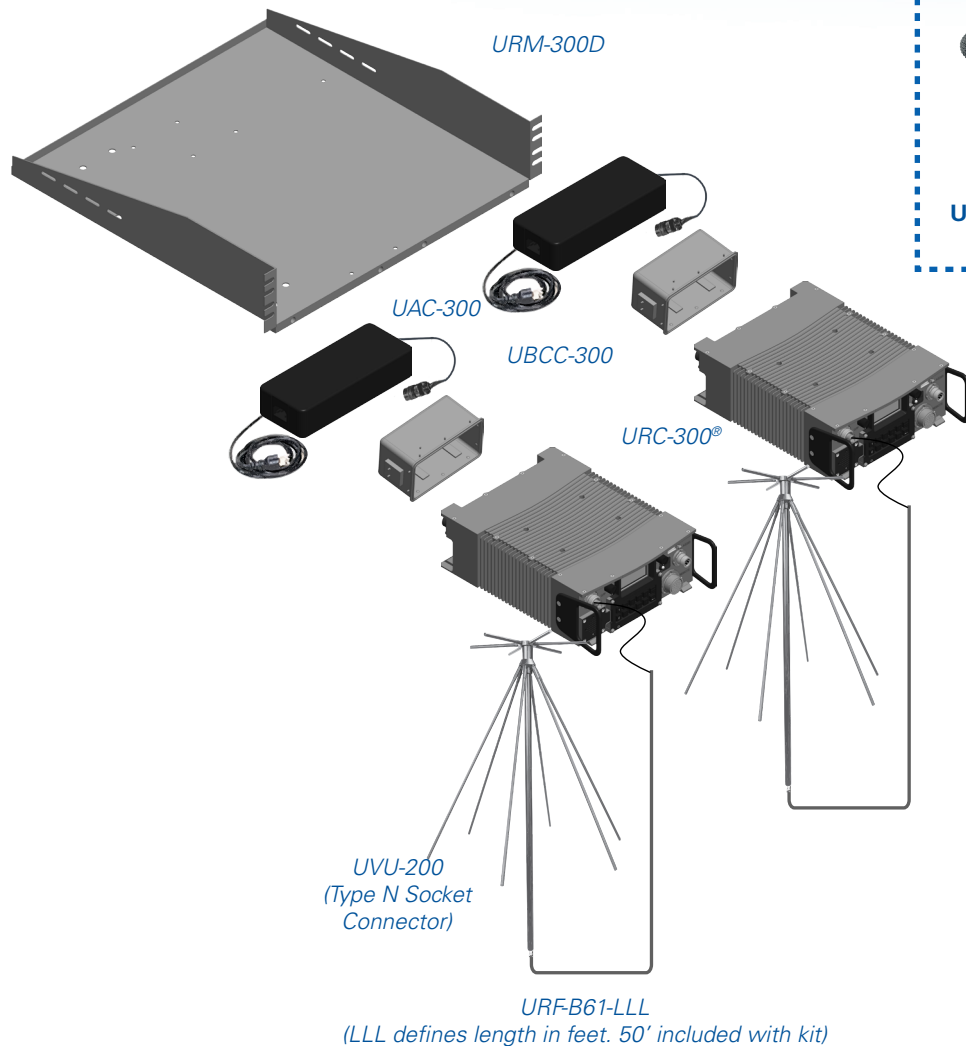
**GENERAL DYNAMICS**  
Mission Systems

Phone 800-424-0052 • URC300info@gd-ms.com • gdmissionsystems.com/urc300

©2022 General Dynamics. All rights reserved. General Dynamics reserves the right to make changes in its products and specifications at anytime and without notice. All trademarks indicated as such herein are trademarks of General Dynamics. All other product and service names are the property of their respective owners. ® Reg. U.S. Pat. and Tm. Off.

H-RM105-10WBS-03-0122

# DRM-100 Dual 10 Watt Base Station System



## DUAL 10 WATT BASE STATION SYSTEM

Supplied, User-Defined and Optional Equipment

### SUPPLIED EQUIPMENT:

- Qty. Description
  - 2 URC-300® VHF/UHF Transceiver
  - 1 URM-300D Rack Mount Tray (Deep)
  - 2 UAC-300 AC/DC Power Supply
  - 2 UBCC-300 Battery Connector Cover
  - 2 UVU-200 VHF/UHF Base Station Antenna
  - 2 URF-B61-050 50' Heliax Antenna Cable<sup>(1)</sup>

### USER-DEFINED EQUIPMENT:

- User must select any combination of two audio devices at time of quote (separately priced)
  - PTHS-200 Headset
  - PTHS-250 H-250 Handset
  - PTHS-300 Speaker Microphone

### OPTIONAL EQUIPMENT<sup>(2)</sup>:

- Audio
  - PTHS-xxx Additional Audio Device (see list above)
- Power
  - UDC-300 DC Power Cable (power radio directly from DC source)
- RF and Antenna
  - URF-B61-LLL Custom Length RF Cable<sup>(1)</sup>
  - Additional, compatible antennas and cables (contact General Dynamics for information)

### FUTURE FIELD-UPGRADEABLE RADIO FUNCTIONS:

- AM Cipher Text Data (CT)
- FM (PT Voice and CT Data)
- 30-90 MHz Frequency Band Extension (FM only)
- Adaptive Noise Reduction (ANR) Machine Learning Algorithm

### FUTURE OPTIONAL ANCILLARIES:

- Remote Control Unit (RCU) – Rack mountable, Base Station

### NOTES:

<sup>(1)</sup> Cables with greater lengths available in 50' increments up to 300'.

<sup>(2)</sup> Select optional equipment in quantities of one or two to support one or both of the dual base station radios.

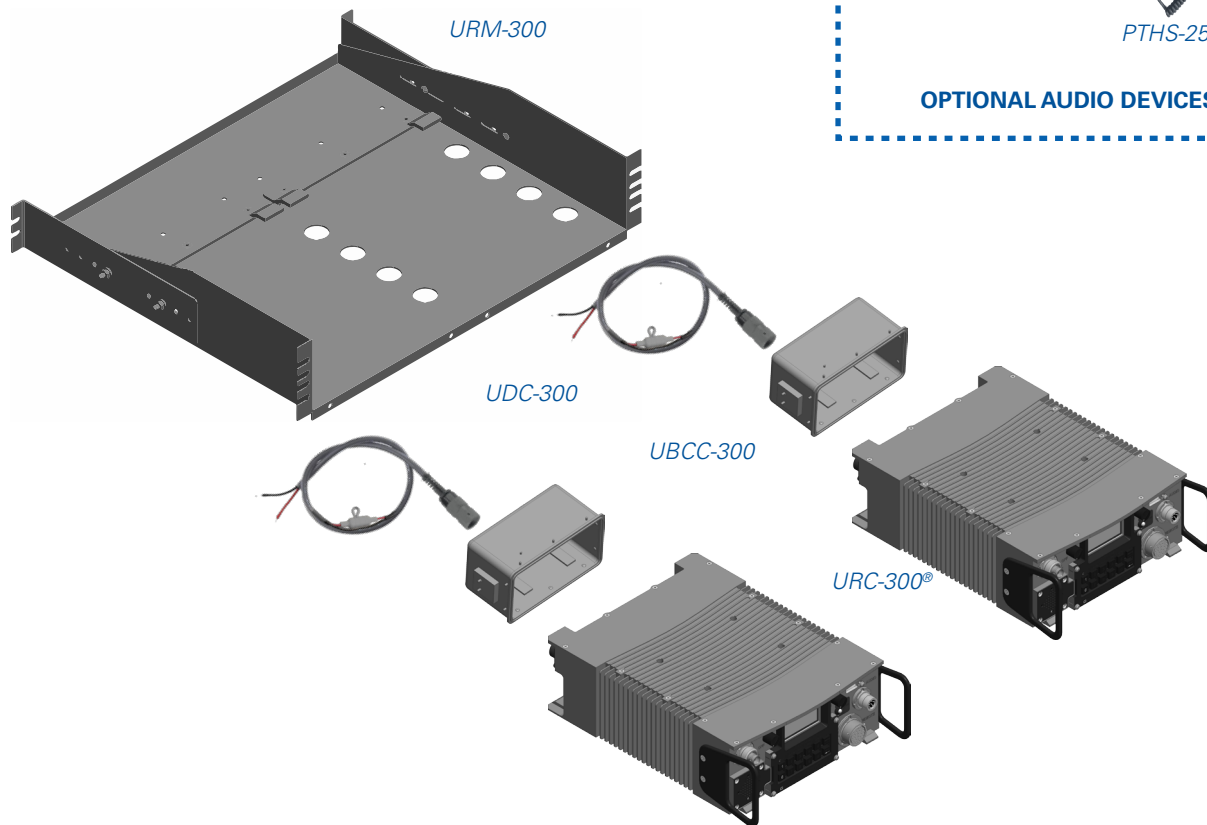
**GENERAL DYNAMICS**  
Mission Systems

Phone 800-424-0052 • URC300info@gd-ms.com • gdmissionsystems.com/urc300

©2022 General Dynamics. All rights reserved. General Dynamics reserves the right to make changes in its products and specifications at anytime and without notice. All trademarks indicated as such herein are trademarks of General Dynamics. All other product and service names are the property of their respective owners. ® Reg. U.S. Pat. and Tm. Off.

H-DRM100-10WBS-DUAL-09-0122

# DRM-105 Dual 10 Watt Base Station System



## DUAL 10 WATT BASE STATION SYSTEM

Supplied, User-Defined and Optional Equipment

### SUPPLIED EQUIPMENT:

- Qty. Description
  - 2 URC-300® VHF/UHF Transceiver
  - 1 URM-300 Rack Mount Tray
  - 2 UDC-300 DC Power Cable
  - 2 UBCC-300 Battery Connector Cover

### OPTIONAL EQUIPMENT:

- Audio
    - PTHS-200 Headset
    - PTHS-250 H-250 Handset
    - PTHS-300 Speaker Microphone
  - Power
    - UAC-300 AC/DC Power Supply (power radio from AC source)
  - RF and Antenna
    - Additional, compatible antennas and cables (contact General Dynamics for information)
- ### FUTURE FIELD-UPGRADEABLE RADIO FUNCTIONS:
- AM Cipher Text Data (CT)
  - FM (PT Voice and CT Data)
  - 30-90 MHz Frequency Band Extension (FM only)
  - Adaptive Noise Reduction (ANR) Machine Learning Algorithm
- ### FUTURE OPTIONAL ANCILLARIES:
- Remote Control Unit (RCU) – Rack mountable, Base Station

**GENERAL DYNAMICS**  
Mission Systems

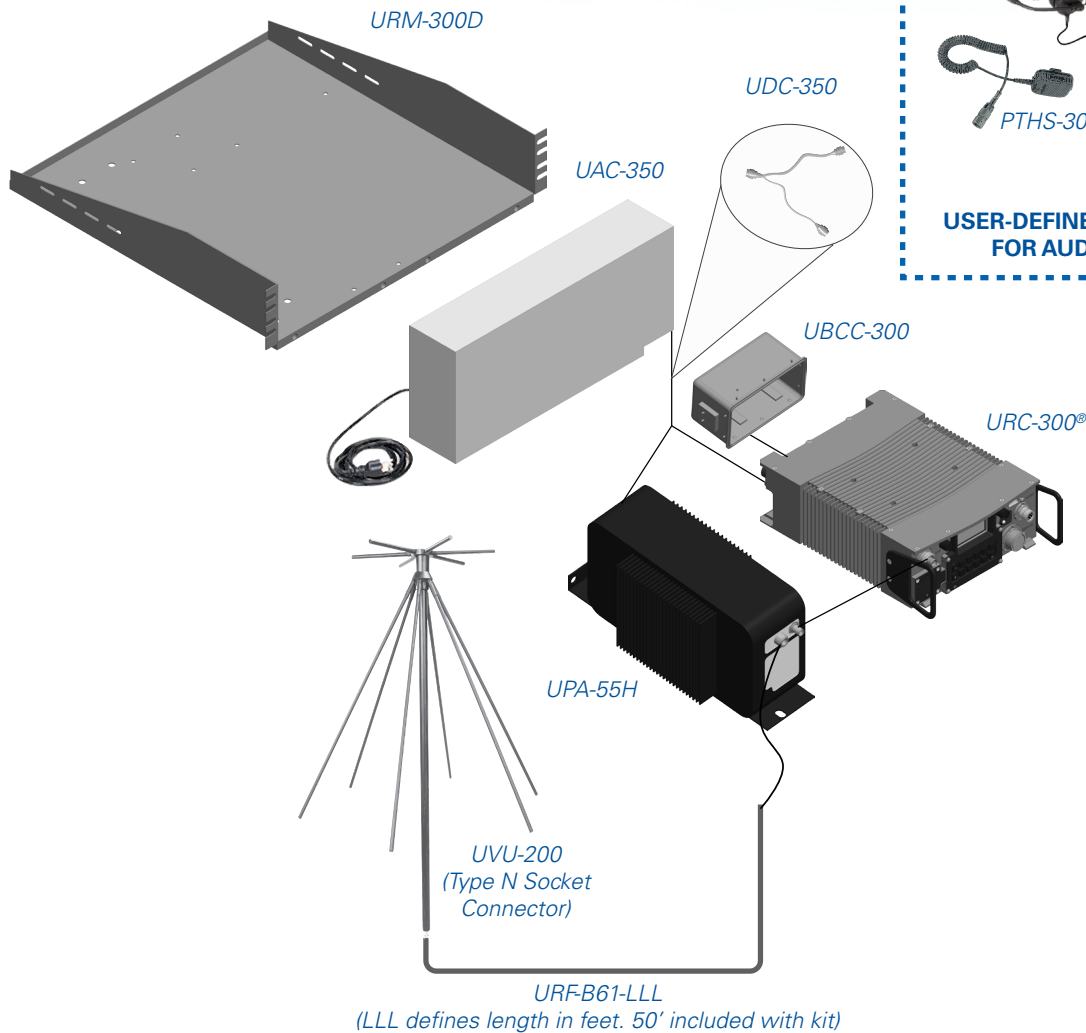
Phone 800-424-0052 • [URC300info@gd-ms.com](mailto:URC300info@gd-ms.com) • [gdmissionsystems.com/urc300](http://gdmissionsystems.com/urc300)

©2022 General Dynamics. All rights reserved. General Dynamics reserves the right to make changes in its products and specifications at anytime and without notice. All trademarks indicated as such herein are trademarks of General Dynamics. All other product and service names are the property of their respective owners. ® Reg. U.S. Pat. and Tm. Off.

H-DRM105-10WBS-DUAL-03-0122



# RM-500 50 Watt Base Station System



## 50 WATT BASE STATION SYSTEM

Supplied, User-Defined and Optional Equipment

### SUPPLIED EQUIPMENT:

- Qty. Description
- 1 URC-300® VHF/UHF Transceiver
- 1 URM-300D Rack Mount Tray (Deep)
- 1 UAC-350 AC/DC Power Supply
- 1 UDC-350 Power Distribution Cable
- 1 UBCC-300 Battery Connector Cover
- 1 UPA-55H 50W Power Amplifier
- 1 UVU-200 VHF/UHF Base Station Antenna
- 1 URF-B61-050 50' Heliax Antenna Cable<sup>(1)</sup>

### USER-DEFINED EQUIPMENT:

- User must select the desired audio device at time of quote (separately priced)
  - PTHS-200 Headset
  - PTHS-250 H-250 Handset
  - PTHS-300 Speaker Microphone

### OPTIONAL EQUIPMENT:

- Audio
  - PTHS-xxx Additional Audio Device (see list above)
- RF and Antenna
  - URF-B61-LLL Custom Length RF Cable<sup>(1)</sup>
  - Additional, compatible antennas and cables (contact General Dynamics for information)

### FUTURE FIELD-UPGRADEABLE RADIO FUNCTIONS:

- AM Cipher Text Data (CT)
- FM (PT Voice and CT Data)
- 30-90 MHz Frequency Band Extension (FM only)
- Adaptive Noise Reduction (ANR) Machine Learning Algorithm

### FUTURE OPTIONAL ANCILLARIES:

- Remote Control Unit (RCU) – Rack mountable, Base Station

### NOTES:

(1) Cables with greater lengths available in 50' increments up to 300'.

**GENERAL DYNAMICS**  
Mission Systems

Phone 800-424-0052 • URC300info@gd-ms.com • gdmissionsystems.com/urc300