

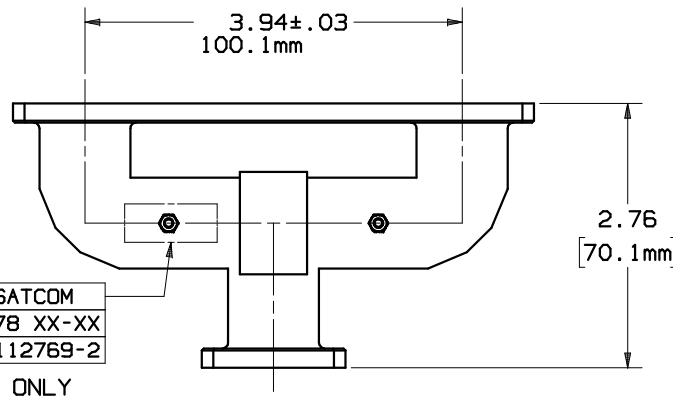
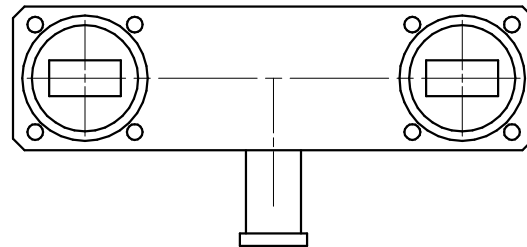
SPECIFICATIONS

REVISIONS

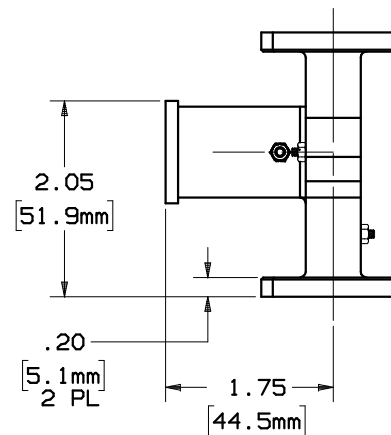
FREQUENCY BAND : 10.70 - 12.75 GHz
VSWR : 1.2:1 MAX ALL PORTS
 (COMBINING PORTS
 DRIVEN SYMMETRICALLY)
INSERTION LOSS
 (COMMON PORT TO INPUTS) : 3.2 dB MAX
PHASE BALANCE : ±5° (COMBINING PORTS)
ISOLATION (INPUT PORTS): 18 dB MIN

PRESSURIZATION: SEALED TO 2.0 PSI
FINISH
 INTERIOR AND
 FLANGE FACES: CHROMATE CONVERSION COATED PER
 MIL-DTL-5541F, CLASS 1A
 EXTERIOR: WHITE PAINT, COLOR #17875 PER
 FED-STD-595.

REV	DESCRIPTION	DATE	APPROVED
A	SEE ECN# 2717	03-29-10	J.K.



GD SATCOM
 50478 XX-XX
 P/N 112769-2
 FS ONLY



WR75 FLANGE
 INTERFACE
 3 PL

O-RING GROOVE
 Ø 1.31 O.D. x .050 DP
 1.11 I.D. x .050 DP
 3 PL

4x Ø .161 THRU
 .166
 3 PL

UNLESS OTHERWISE SPECIFIED		SIGNATURES	DATE	GENERAL DYNAMICS PROPRIETARY	
DIMENSIONS ARE IN INCHES		DRAWN: TOVALIN	03-10-10	GENERAL DYNAMICS SATCOM Technologies 3111 Fujita St., Torrance, CA 90505, (310) 539-6704	
TOLERANCES-		CHECKED:			
SURFACE .XX ±.02		RF ENG:			
.XXX ±.003		ENGRG:			
63 ✓ ANGLES±		MFG:		Ku-BAND 2-WAY POWER COMBINER	
MATERIAL CAST ALY 356		EAR CONTROLLED: Export or re-export subject to 15 CFR 700-799.			
FINISH				SIZE C FSCM No. 50478 SCALE: 1:1	DWG No. 112769-2 SHEET 1
				REV A	