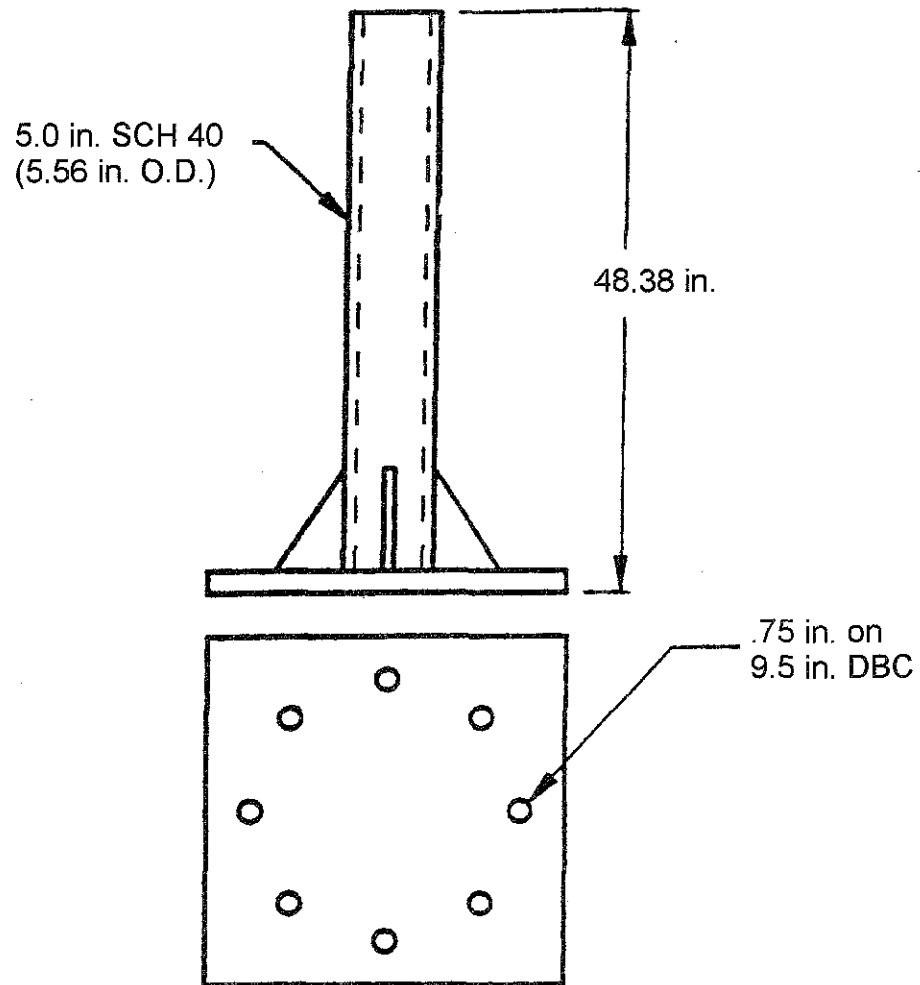


# PEDESTAL MOUNT



- \* Part Number 0800-707
- \* 5.56 in. O.D. Mast Pipe Size
- \* 125 MPH wind survival
- \* Anchor Bolts/Mounting Kit Included

**1.8 M Mount used with  
Series 1194**



PRODELIN  
ISO 9002 registered  
certificate no. A2421

5002-235 (10-97) © PRODELIN