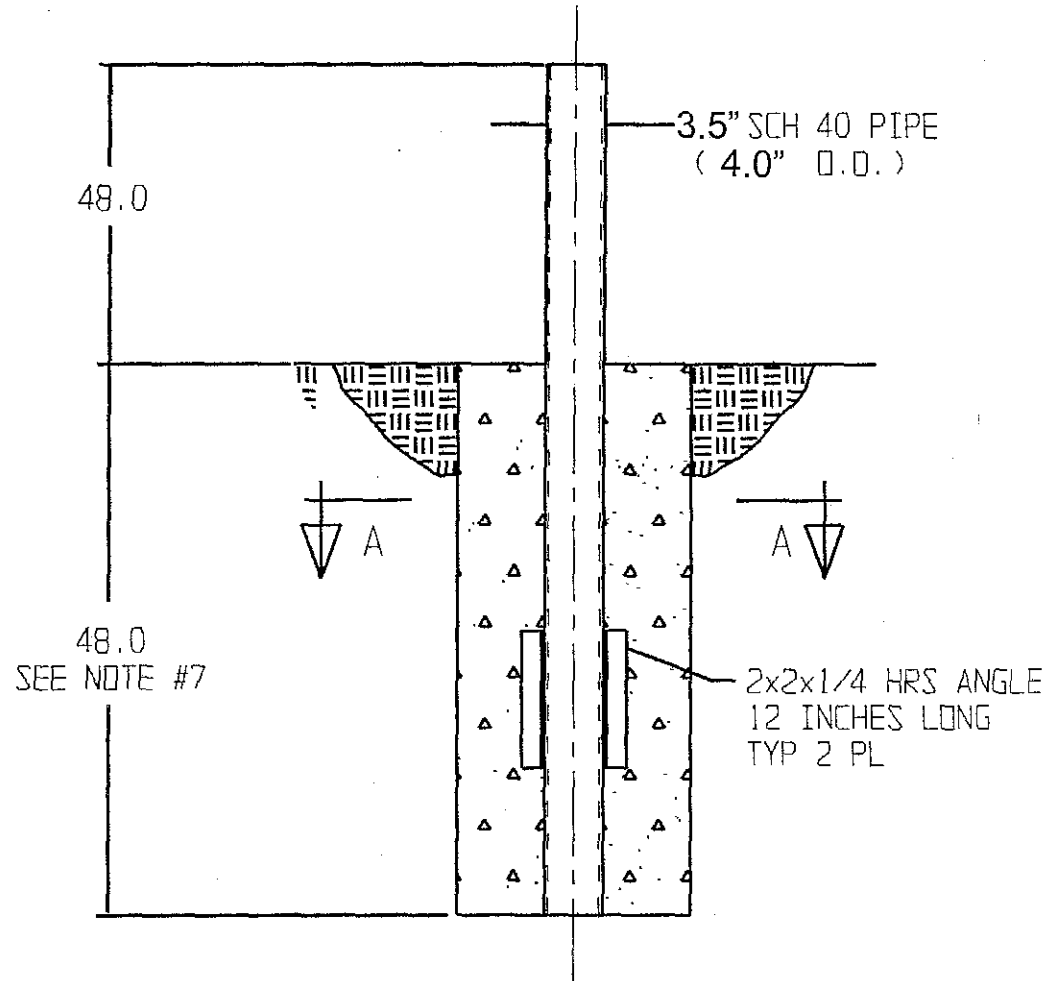
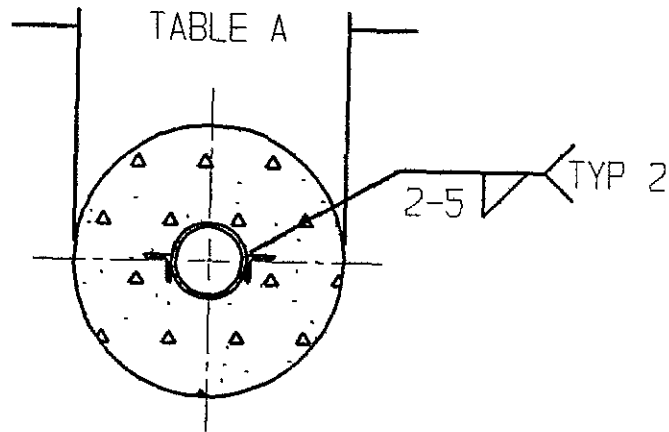


SUGGESTED MAST FOUNDATION



Notes:

1. 2 x 2 x 1/4 HRS Angle & 3.5" schedule 40 pipe should conform with ASTM A36 and ASTM A53 type E & S Grade B.
2. All concrete should conform to building code standards and have a minimum compressive strength of 3000 PSI at 28 days (Per ACI-318-77).
3. Soil bearing capacity should be no less than 2000 PSF.
4. Concrete should be poured against undisturbed soil.
5. Allow concrete 24 hour set up time before installation of antenna.
6. The antenna should be properly grounded to meet applicable local codes.
7. Minimum depth as shown or extend to local frost line.

(Prodelin Corporation does not represent or warrant that any particular design or size of foundation is appropriate for any locality or earth station installation.)



A TriPoint Global Company

1.8M Offset Series 1183

PRODELIN
ISO 9002 registered
certificate no. A2421

5002-338 (11-99) © PRODELIN