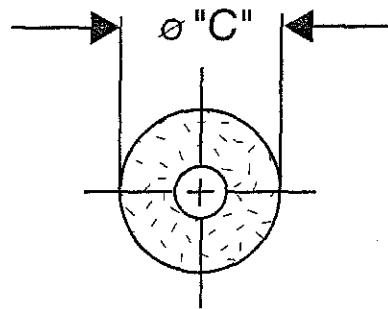


SUGGESTED MAST FOUNDATION

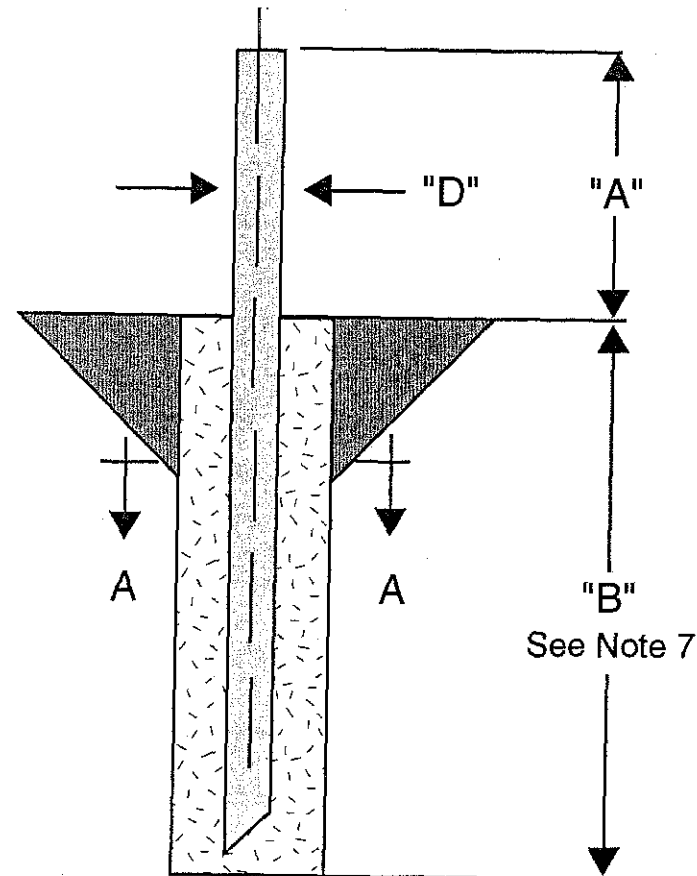
SYSTEM	Series Numbers	"A"		"B"	"C"	"D" - Pipe Size & Diameter
		Max.	Min.	Min.		
.60M	1600	24"	18"	24"	8"	1.5" SCH. 40 (1.90" O.D.)
.76/.92/1.0M	1761, 1921, 1111	30"	21"	30"	10"	1.5" SCH. 40 (1.90" O.D.)
.95M	1950	30"	25"	30"	12"	1.5" SCH. 40 (1.90" O.D.)
.95M	1951	30"	25"	30"	12"	2.5" SCH. 40 (2.88" O.D.)
.95M	1952	30"	25"	30"	12"	2.5" SCH. 40 (2.88" O.D.)
1.2M	1123, 1124, 1125, 1134	36"	29"	36"	12"	2.5" SCH. 40 (2.88" O.D.)
1.2M	1130	36"	29"	36"	12"	2.00" SCH. 40 (2.38" O.D.)



Section A-A

Notes:

1. The schedule 40 pipe should conform with ASTM A36 structural steel.
2. All concrete should conform to building code standards and have a minimum compressive strength of 3000 PSI at 28 days (Per ACI-318-77).
3. Soil bearing capacity should be no less than 2000 PSF.
4. Concrete should be poured against undisturbed soil.
5. Allow concrete 24 hour set up time before installation of antenna.
6. The antenna should be properly grounded to meet applicable local codes.
7. Minimum depth as shown or extend to local frost line.



(Prodelin Corporation does not represent or warrant that any particular design or size of foundation is appropriate for any locality or earth station installation.)

.60, .76, .92, .95, 1.0, 1.2 Meters



PRODELIN™

A TriPoint Global Company

PRODELIN
ISO 9002 registered
certificate no. A2421

5002-342 (11-99) © PRODELIN