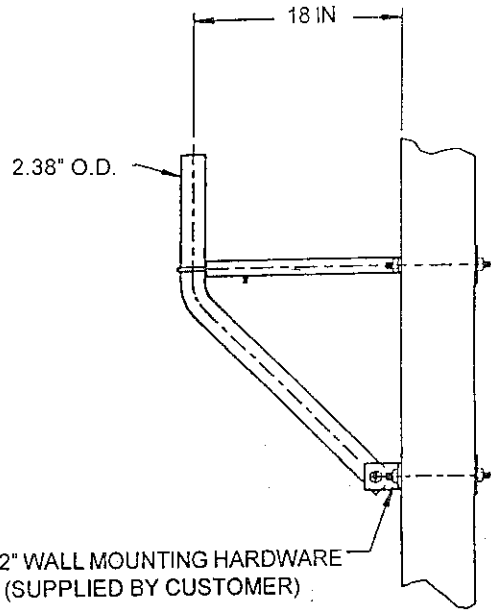
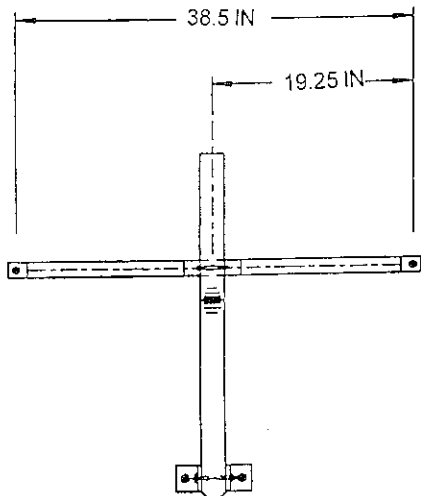


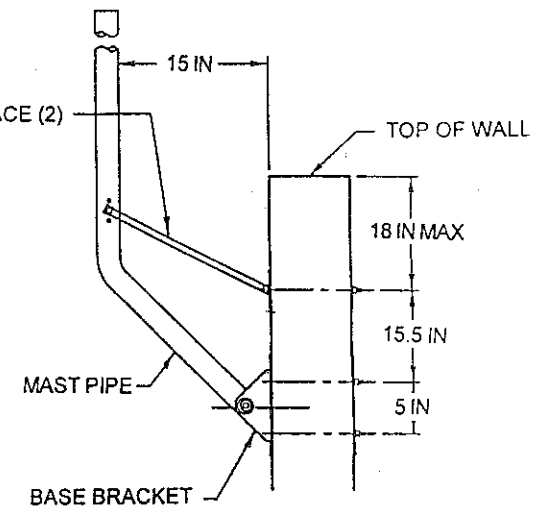
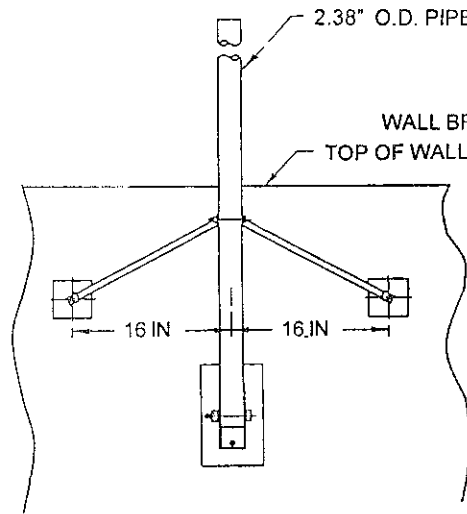
WALL MOUNT



1/2" WALL MOUNTING HARDWARE
(SUPPLIED BY CUSTOMER)

- * Part Number 0800-406
- * 2.38 in. O.D. Mast Pipe Size
- * 125 MPH Wind Survival

EXTENDED WALL MOUNT



- * Part Number 0800-212
- * 2.38 in. O.D. Mast Pipe Size
- * 125 MPH Wind Survival

1.2M .6f/d Mounts used with Series 1130



PRODELIN
ISO 9002 registered
certificate no. A2421

5002-211 (07-97) © PRODELIN