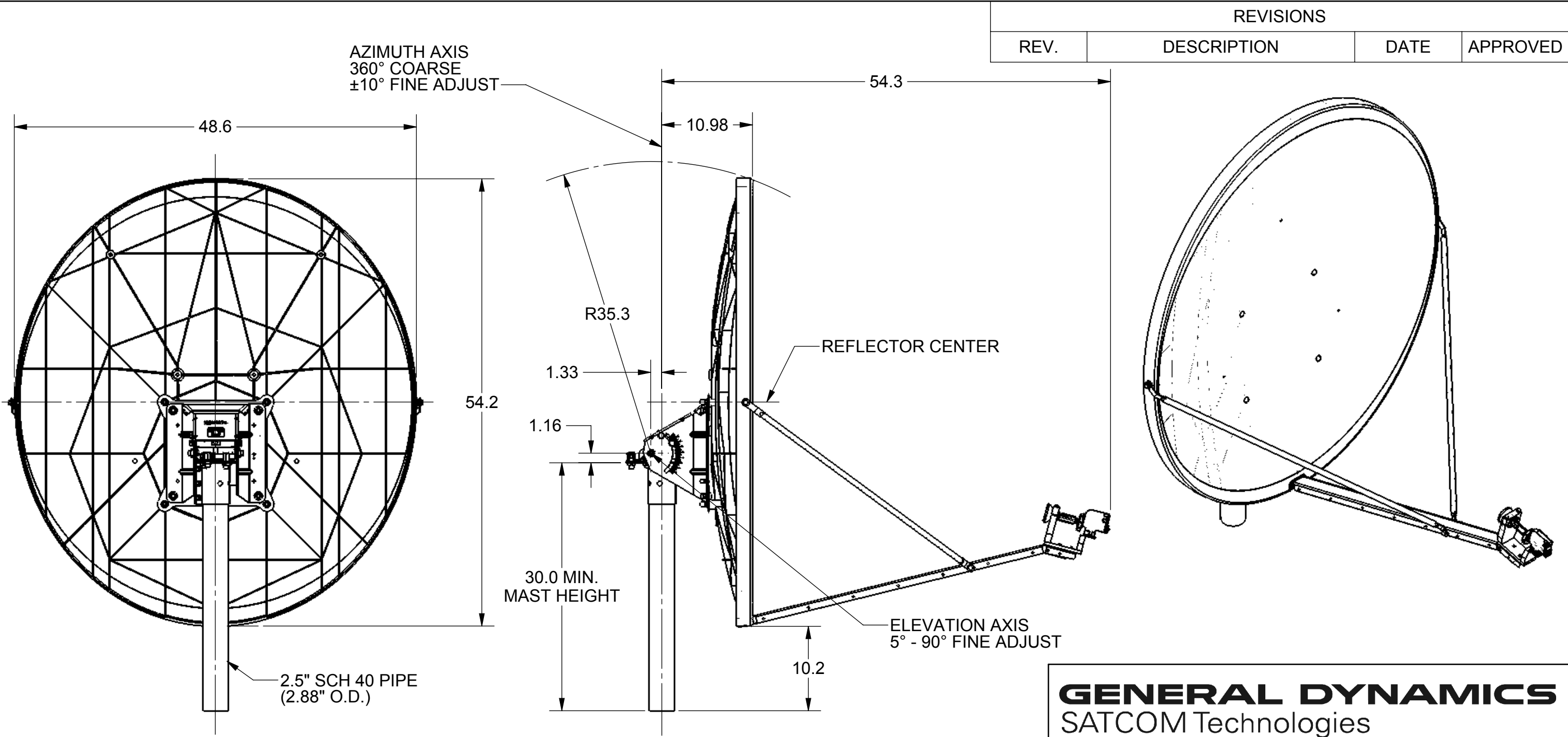


3D STORED AT: H:\StdPrf\Reference Models\VSAT Antenna Systems\series3122rev



REVISIONS			
REV.	DESCRIPTION	DATE	APPROVED

- NOTES:
- CIRCULAR POLARIZED FEED OPTION SHOWN. LINEAR FEED AND Rx/O OPTIONS AVAILABLE.
  - MAXIMUM RECOMMENDED FEED SUPPORT WEIGHT = 8 POUNDS (3.5 kgs.).

DIMENSIONS ARE IN DECIMAL INCHES. UNLESS OTHERWISE NOTED. TOLERANCES ON FINISHED DIMENSIONS ARE AS FOLLOWS:

X.X = 0.1                      X.XXX = 0.010  
X.XX = 0.05                    ANGULAR = 1°

<b>GENERAL DYNAMICS</b> SATCOM Technologies			
TITLE		1.2M Ka-Band Rx/Tx Antenna Series 3122	
MATERIAL	SEE NOTE	FINISH	SEE NOTE
NEXT ASS'Y	CODE IDENT. NO. 94661		
DRAWN	10/04/11	BY	R.F.
CHECKED		BY	
ENGR.		BY	
MFG APVD		BY	
		SCALE 1:12	SH. 1 OF 1
		<b>TD0650</b>	REV.

Prodelin's drawings, sketches, computer programs, plans, specifications, technical data, prototype products, blueprints, photographs, instructions, diagrams, models, formulae, tables, engineering designs, diskettes, tapes, software, other electronic media (defined to include, but not be limited to, the system functional design, logic flow, algorithms, application programs, operating systems, software design implementation, tests, test results, operation, diagnosis, repair...) and/or documents (collectively "Proprietary Materials") are confidential and proprietary in nature and are considered by it to constitute "trade secrets" as defined by N.C. Gen. Stat. 66-152 (3)(a) and (b) of the North Carolina Uniform Trade Secrets Act, by the Uniform Trade Secrets Act and by any other states/countries' Trade Secrets Acts regardless if some of the information or documents that were incorporated into such drawings, sketches, computer programs, plans, specifications, technical data, prototype products, blueprints, photographs, instructions, diagrams, models, formulae, tables, engineering designs, diskettes, tapes, software, other electronic media (defined to include, but not be limited to, the system functional design, logic flow, algorithms, application programs, operating systems, software design, implementation, tests, test results, operation, diagnosis, repair...) and/or documents or the information that was incorporated onto the Proprietary Materials came from a customer or third party and whether such Proprietary Materials do or do not constitute intellectual property, patent, trademark or copyright rights or material. THESE "PROPRIETARY MATERIALS" MAY NOT BE COPIED, REPRODUCED, DISCLOSED OR DISTRIBUTED IN WHOLE OR IN PART TO OTHER PARTIES EITHER VERBALLY OR IN WRITING WITHOUT PRIOR WRITTEN APPROVAL BEING OBTAINED FROM THE PRODELIN DOCUMENTATION SUPERVISOR OR A DULY AUTHORIZED REPRESENTATIVE.