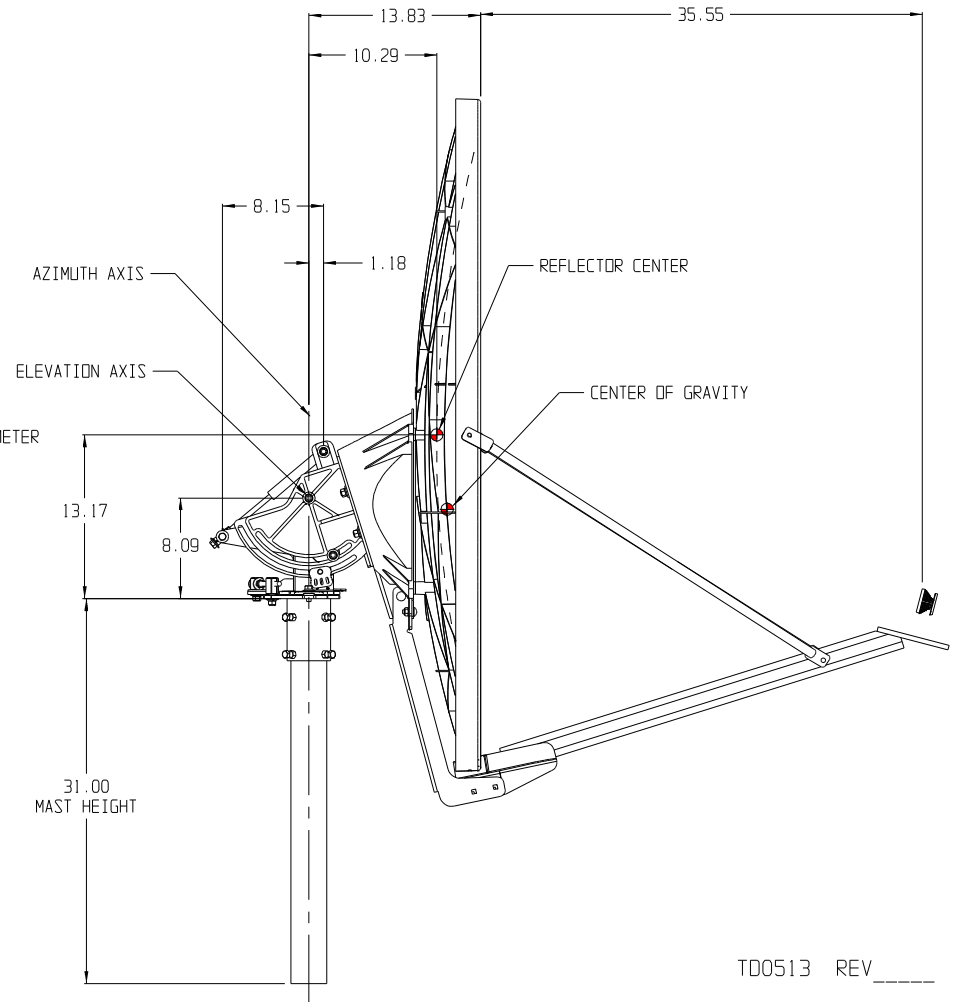


TOTAL WEIGHT OF ANTENNA IS APPROX. 75 LB

ORIGIN	CENTER OF GRAVITY		
TOP OF PIPE	11.13	7.19	.03
BOTTOM OF PIPE	11.13	38.19	.03
	X	Y	Z



SERIES 3120 1.2M KA-BAND ANTENNA GOEMTRY

T00513 REV _____
 APPD: _____
 DATE: _____