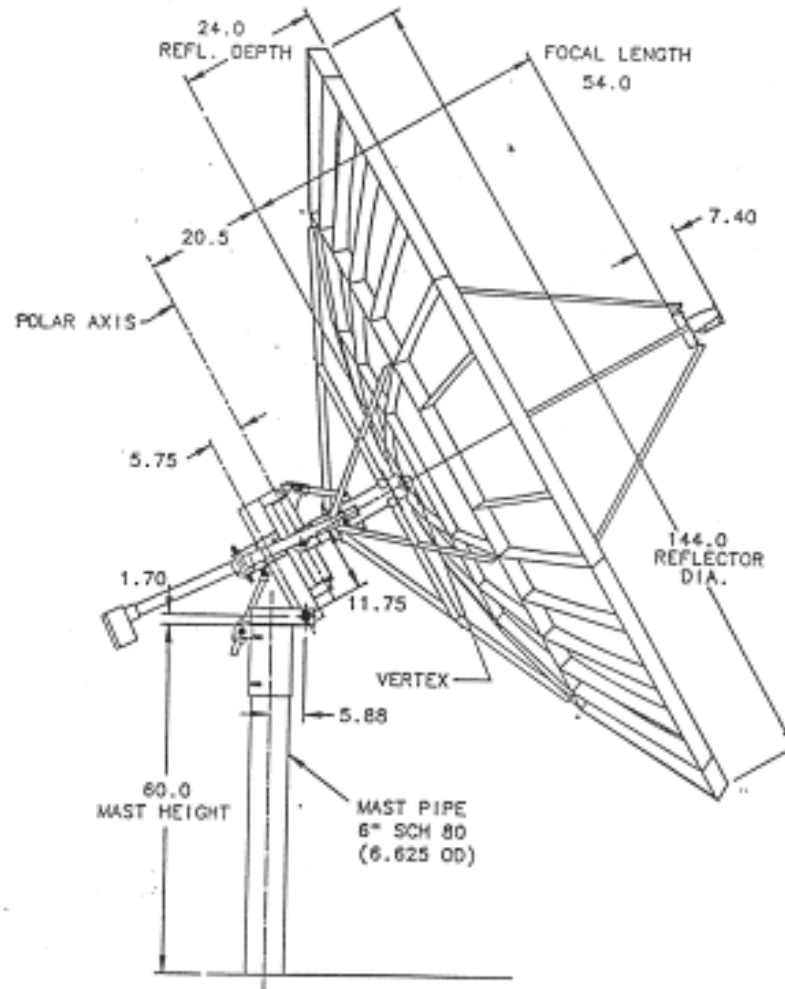


Prodelin Corporation



**3.7 Meter Series 1375
C-Band Receive Only Axisymmetric Polar
Antenna Geometry**