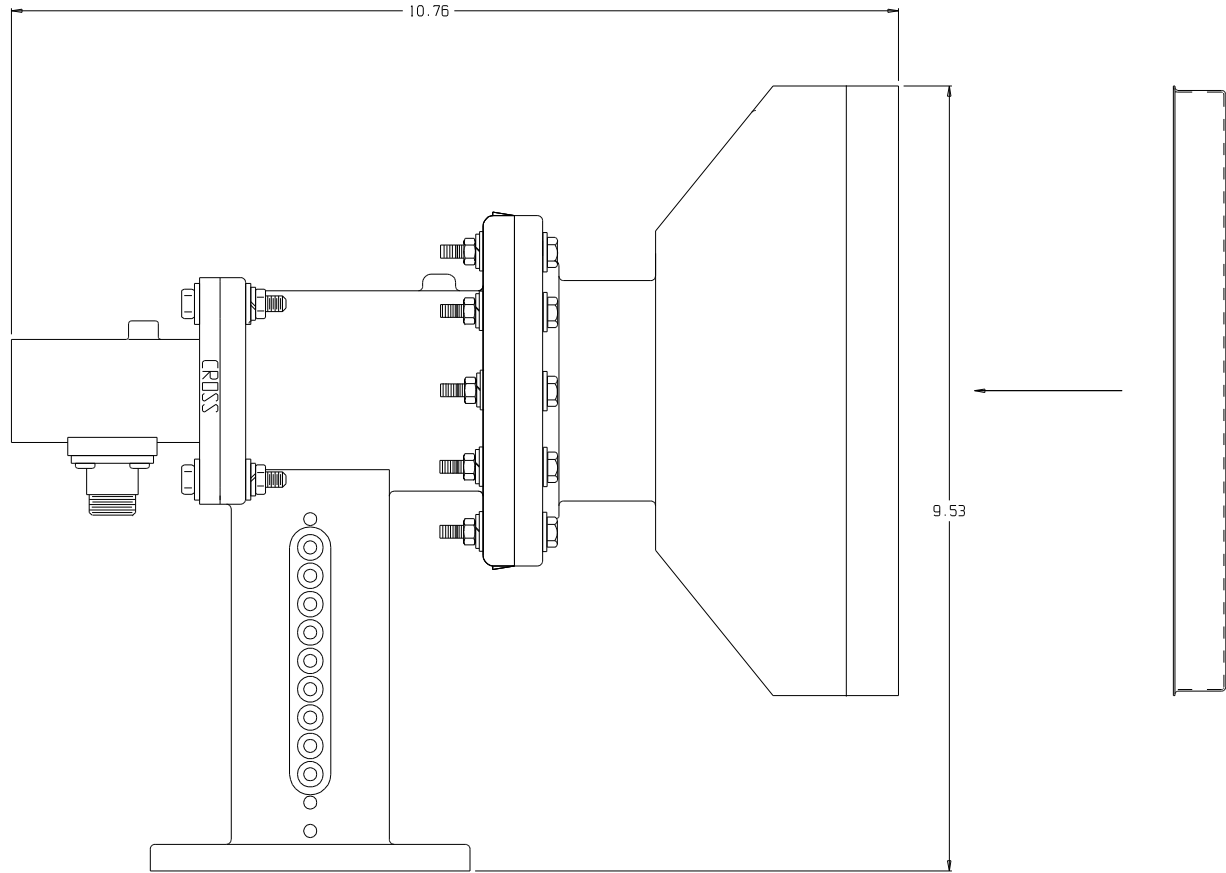



SYM.	DESCRIPTION	DATE	APPD



SPECIFICATIONS	EXTENDED RX & TX
OPERATING FREQUENCY RECEIVE(SIDE PORT) TRANSMIT(THROUGH PORT)	3.4-4.2 GHz 5.845-6.725 GHz
RETURN LOSS RECEIVE(SIDE PORT) TRANSMIT(THROUGH PORT)	15.00dB 17.7 dB
INSERTION LOSS	0.2dB
VSWR RECEIVE(SIDE PORT) TRANSMIT(THROUGH PORT)	1.43 MAX 1.3 MAX
PORT-TO-PORT ISOLATION TX/RX RX/TX	80dB 55dB
ON AXIS CROSS-POLARIZATION RECEIVE(SIDE PORT) TRANSMIT(THROUGH PORT)	30dB 30dB
PORT INTERFACE SIDE PORT(RX) THROUGH PORT(TX)	WR 229 N-TYPE CONNECTOR/WR 137
MATERIAL	ALUMINUM CASTING
EXTERIOR FINISH	CHROMATE



**PRODELIN**  
CORPORATION

TITLE  
ASSY, 800 MHz C-BAND QMT  
w/ 41° FEED HORN

NEXT ASS'Y	CODE IDENT. NO. 94661
DRAWN 9/11/08 BY KLM	TD0537
CHECKED - BY -	
ENGR. BY	REV.
MFG APVD BY	SCALE NONE SH. 1 OF 1