

GENERAL DYNAMICS
SATCOM Technologies

4096-397

July 10, 2009
Rev. A

ASSEMBLY MANUAL

**KU-BAND FEED INSTALLATION
NEC INTERFACE**

General Dynamics
SATCOM Technologies
1500 PRODELIN DRIVE
NEWTON NC 28658
Phone 828-464-4141

Ku-band Feed Installation Nec Interface

A	Revised Company Name, Logo, and Part Tables	7/10/09	RAH
-	ORIGINAL RELEASE	01/04/95	R. Frye
REV.	DESCRIPTION	DATE	APPROVED

SECTION I GENERAL INFORMATION

This manual describes the steps required to attach a Ku-Band feed horn and NEC outdoor Rx/Tx unit to a General Dynamics 1.2M, 1.8M, or 2.4M antenna system. Follow the steps outlined in the antenna system installation manual up to the completion of the feed support assembly and then use the steps outlined below to attach the feed horn.

SECTION II FEED ASSEMBLY

Refer to the parts list table and figures.

Step 1: Attach the feed horn (item #1) to the NEC Rx/Tx unit with the o-ring (item #2) and #6-32 hardware (item #3 & 4) as shown in figure 1. Tighten completely.
Note: Coat o-ring with the silicone grease provided before assembly.

Step 2: Attach the completed feed assembly from step #1 to the matching holes in the feed support with the hardware provided with the Rx/Tx unit as shown in figure 2. Tighten completely.

The antenna assembly is now complete and ready for alignment. Refer to the antenna system installation manual for alignment guidelines.

KU-BAND FEED PARTS LIST			
ITEM NO.	PART NO.	DESCRIPTION	QTY
1	0183-478	FEED HORN	1
2	0198-120	O-RING	1
3	8300-002	#6-32 X .50" SH SCREW	7
4	8200-010	#6 LOCKWASHER	7

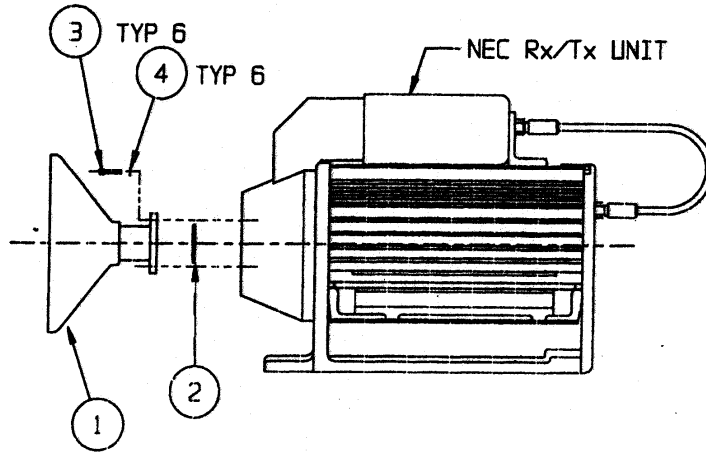


FIGURE 1

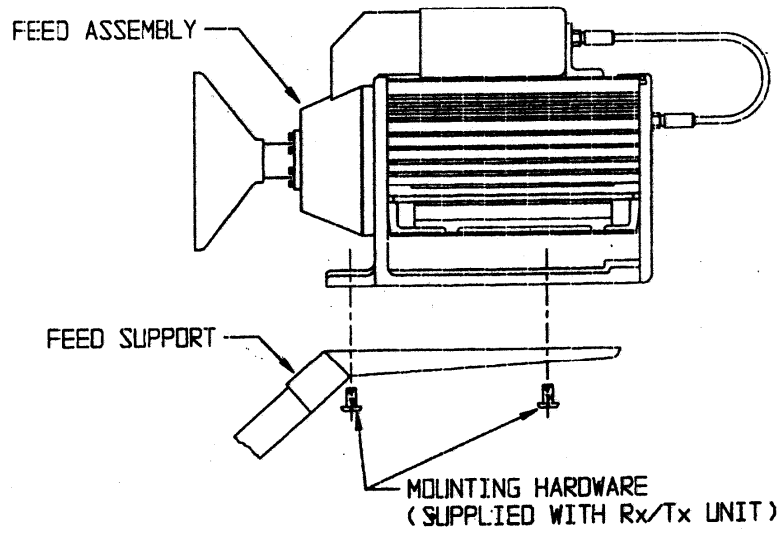


FIGURE 2