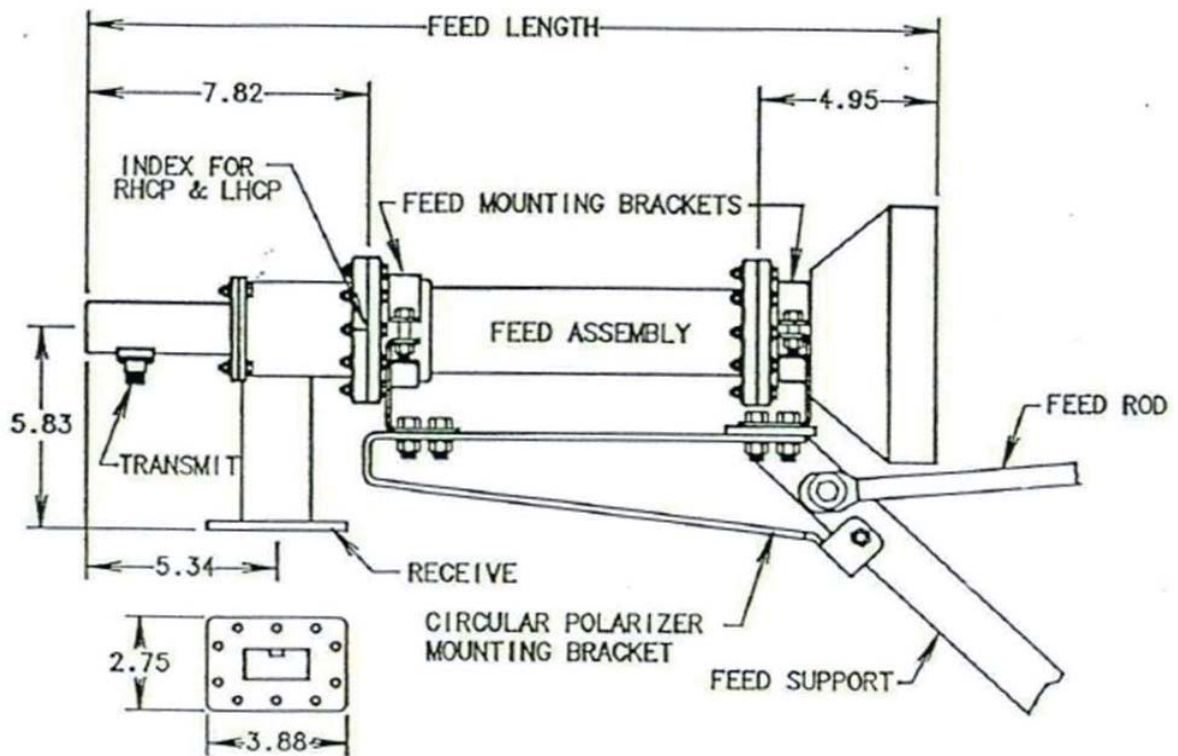


1.8M and 2.4M C-Band Circular Polarized Feed

Technical Specifications

Specifications			
Operating Frequency			
	Receive (side port)		3.7 - 4.2 GHz
	Transmit (through port)		5.925 - 6.425 GHz
Voltage Axial Ratio	Rx		1.4 (2.95 dB)
	Tx		1.3 (2.28 dB)
Cross-Pol Isolation	Rx		15.5 dB
	Tx		17.7 dB
Port-to-Port (Rx/Tx) Isolation			75 dB
VSWR Max			1.33
Feed Interface	Rx		WR-229
	Tx		Type N or WR-137
Feed Length			23.56 inches



GENERAL DYNAMICS SATCOM Technologies

1500 Prodelin Drive • Newton, NC 28658 USA • Telephone: +1-828-464-4141 • Fax: +1-828-464-4147
Email: vsat@gdsatcom.com • Web Site: www.gdsatcom.com

1.8M and 2.4M C-Band CP Feed 7/14