

GENERAL DYNAMICS

SATCOM Technologies

4096-663

June 1, 2009

Revision B

Assembly Manual

**2.4 METER
SERIES 1250 ANTENNA SYSTEM**

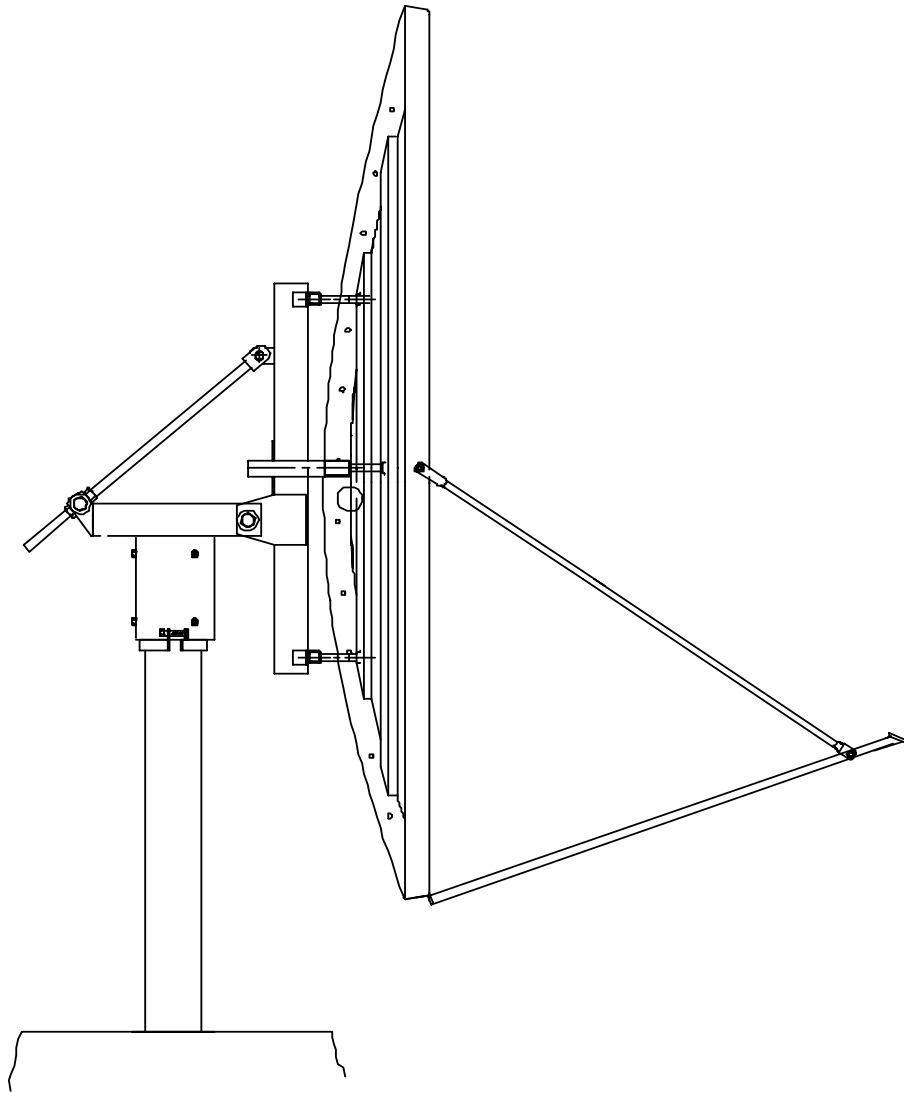
General Dynamics
SATCOM Technologies
1500 Prodelin Drive
Newton NC 28658

2.4 Meter 2 Piece Az/EI Installation Instructions

B	Revised Company Name and Logo	6/1/09	RAH
A	REVISED HARDWARE AND TABLES	5/2/09	CLT
-	ORIGINAL RELEASE	08/05/04	CLT
REV.	DESCRIPTION	DATE	APPROVED

2.4M SERIES 1250 ANTENNA SYSTEM**TABLE OF CONTENTS**

<u>SECTION</u>	<u>TITLE</u>
I	GENERAL INFORMATION
1.0	INTRODUCTION
1.1	UNPACKING AND INSPECTION
1.2	MECHANICAL INSTALLATION TOOLS
1.3	SITE SELECTION
1.4	SUGGESTED MAST & FOUNDATION
II	REFLECTOR AND SUPPORT ASSEMBLY
2.0	PART LIST
2.1	AZ/EL POSITIONER INSTALLATION
2.2	REFLECTOR PETAL ORIENTATION
2.3	REFLECTOR SUPPORT ASSEMBLY
III	FEED SUPPORT
3.0	PART LIST
3.1	FEED SUPPORT INSTALLATION
IV	ANTENNA POINTING
4.0	ALIGNMENT TO SATELLITE
4.1	INITIAL ALIGNMENT
V	MAINTENANCE
5.0	MAINTENANCE OVERVIEW
5.1	PERIODIC INSPECTION
5.2	REFLECTOR
5.3	MOUNT AND REFLECTOR SUPPORT
5.4	FEED AND FEED SUPPORT



SECTION I GENERAL INFORMATION

1.0 INTRODUCTION

This manual describes the assembly and installation of General Dynamics' 2.4M 2-Piece Rx/Tx offset antenna system with an Az/EI mount (series number 1250). The General Dynamics 2.4M is a rugged, reliable antenna system that will operate at C-band and Ku-band frequencies with high efficiency and at the same time successfully withstand the effects of the environment.

These instructions are listed by sections that cover all areas of assembly and installation. Additional sections are included in the manual to provide information on antenna alignment to the satellite and maintenance.

1.1 UNPACKING AND INSPECTION

1. **UNPACKING & INSPECTION** - The antenna containers should be unpacked and inspected at the earliest date to ensure that all material has been received and is in good condition. A complete packing list for each major component is supplied.

2. **FREIGHT DAMAGE** - Any damage to materials while in transit should be immediately directed to the freight carrier. He will instruct you on the matters regarding any freight damage claims.

3. **MATERIAL - MISSING OR DAMAGED** - Any questions regarding missing or damaged materials that is not due to freight carrier should be directed to General Dynamics' Customer Service Department at:

General Dynamics SATCOM Technologies
1500 Prodelin Drive
Newton NC 28658
USA
(828) 464-4141

1.2 MECHANICAL INSTALLATION TOOLS

HARDWARE SIZE	SAE WRENCH SIZE	METRIC WRENCH SIZE	MAXIMUM REC. TORQUE
3 / 8"	9/16"	14 mm	20 ft-lbs
1 / 2"	3 / 4"	20 mm	45 ft-lbs
5 / 8"	15 / 16"	24 mm	70 ft-lbs
3 / 4"	1 – 1 / 8"	28 mm	145 ft-lbs
1"	1 – 1 / 2"	38 mm	220 ft-lbs

NOTE: The Minimum Torque applied should not be less than 10% of maximum recommended torque.

Also recommended for installation:

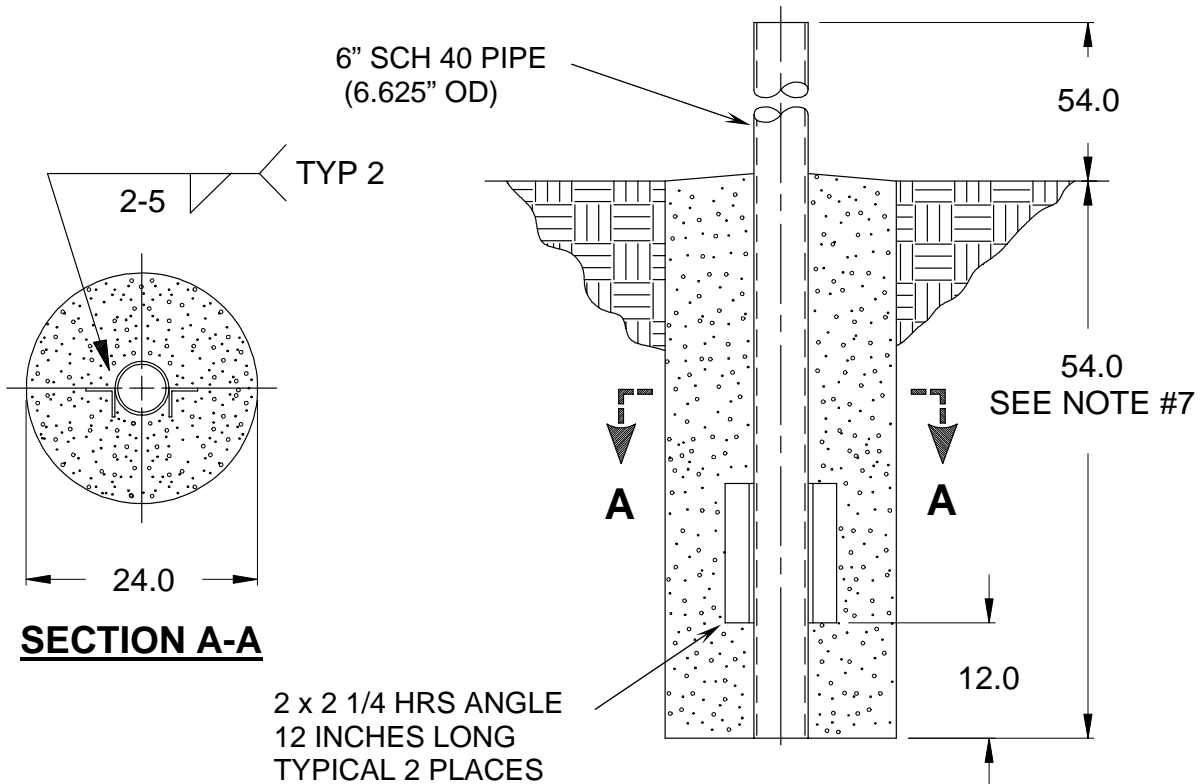
Adjustable Wrench 10"
Ratchet (3 / 8" & 1 / 2" Drive)
Inclinometer
Compass

1.3 SITE SELECTION

In order to achieve maximum performance of your antenna system, it is important to select the correct location for the antenna. The following guidelines should be observed when selecting a site for the installation.

1. The line of site to the satellite should be clear of any obstructions, such as trees or buildings.
2. The site should be relatively flat and level for ease of installation and access to the antenna.
3. The site should be checked for underground obstruction, such as buried cables or pipes.
4. All local building codes should be adhered to (i.e. grounding, foundation requirements, zoning rules, setbacks, etc.).

1.4 SUGGESTED MAST & FOUNDATION



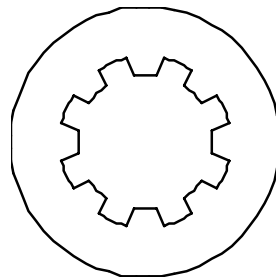
NOTES:

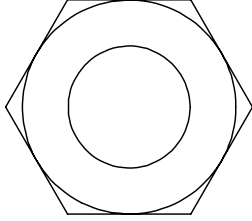
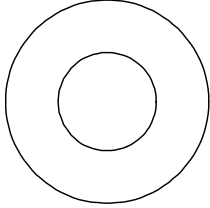
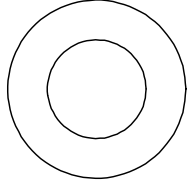
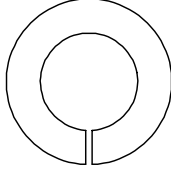
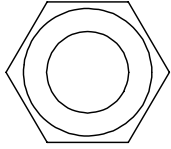
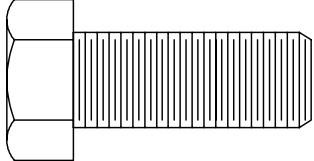
1. 2 x 2 x 1/4 HRS Angle and schedule 40 pipe should conform with ASTM A36 and ASTM A53 Type E and S Grade B.
2. All concrete should conform to building code standards and have a minimum compressive strength of 3000 PSI at 28 days. (Per ACI-318-77)
3. Soil bearing capacity should be no less than 2000 PSF.
4. Concrete should be poured against undisturbed soil.
5. Allow concrete 24 hours set time before installation of antenna.
6. The antenna should be properly grounded to meet applicable local codes.
7. Minimum depth as shown or extend to local frost line.
8. Foundation meets the design requirements as set forth by the uniform building code. (1982 edition)

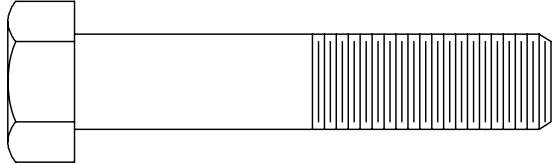
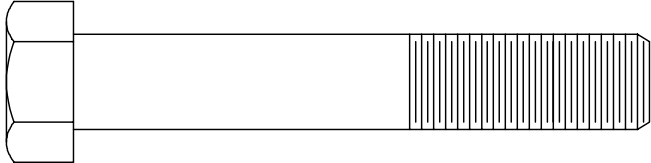
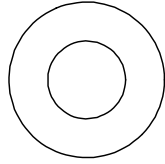
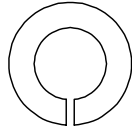
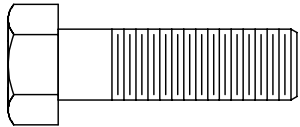
(GENERAL DYNAMICS DOES NOT REPRESENT OR WARRANT THAT ANY PARTICULAR DESIGN OR SIZE OF FOUNDATION IS APPROPRIATE FOR ANY LOCALITY OR EARTH STATION INSTALLATION.)

SECTION II REFLECTOR AND SUPPORT ASSEMBLY

REFLECTOR AND SUPPORT ASSEMBLY PART LIST- TABLE 2.0			
ITEM	PART NO.	DESCRIPTION	QTY
1	0179-381 0179-383	REFLECTOR "A" SIDE REFLECTOR "A" SIDE – WITH SHC	1
2	0179-382 0179-384	REFLECTOR "B" SIDE REFLECTOR "B" SIDE – WITH SHC	1
3	0490-183	Az / EI POSITIONER	1
4	0159-283	THREADED INSERT	6
5	0490-601	SUPPORT TUBE	1
6	0250-657	TOP / BOTTOM CROSSARM	2
7	0181-249	ELEVATION ADJUSTMENT ASSEMBLY	1
8	0490-602	CROSSARM WELDMENT	1
9	8201-045	3/4 " FLATWASHER	6
10	8200-015	3/4" INTERNAL TOOTH LOCK WASHER	6



PARTS LIST – CONTINUED			
ITEM	PART NO.	DESCRIPTION	QTY
11	8106-007	3/4" HEX NUT 	6
12	8201-043	1/2" FLATWASHER 	12
13	8201-030	1/2" FLATWASHER - NARROW 	18
14	8202-043	1/2" LOCK WASHER 	15
15	8104-007	1/2" HEX NUT 	15
16	8033-010	1/2"-13 x 1.25 BOLT 	9

PARTS LIST – CONTINUED			
ITEM	PART NO.	DESCRIPTION	QTY
17	8033-021	1/2"-13 x 2.50 BOLT 	4
18	8033-032	1/2"-13 x 4.00 BOLT 	2
19	8201-042	3/8" FLATWASHER 	10
20	8202-042	3/8" LOCK WASHER 	8
21	8032-010	3/8"-16 x 1.25 HEX BOLT 	6

PARTS LIST - CONTINUED			
ITEM	PART NO.	DESCRIPTION	QTY.
22	0490-168	ELEVATION TUBE	1
23	8036-016	1-8 X 2.00 BOLT	2
24	8036-072	1-8 X 9.00 BOLT	1
25	8201-049	1" FLATWASHER	4
26	8202-046	1" LOCKWASHER	3
27	8107-007	1" HEX NUT	1
28	0188-093	AZIMUTH ADJ. COLLAR	1
29	0188-113	PIPE COLLAR	1
30	8032-014	3/8-16 X 1.75 BOLT	2
31	8102-007	3/8" HEX NUT	2
32	8033-020	1/2-13 X 2.50 FULL THREAD	2
33	8317-106	SCREW ASSY 5/8-11 X 1.50"	6

CAUTION: During the assembly procedure, the sequence of instructions must be followed. **Do Not Tighten Any Hardware Until Instructed.** Refer to the antenna assembly parts list and the following steps.

2.1 Az / EI POSITIONER INSTALLATION

STEP 1:

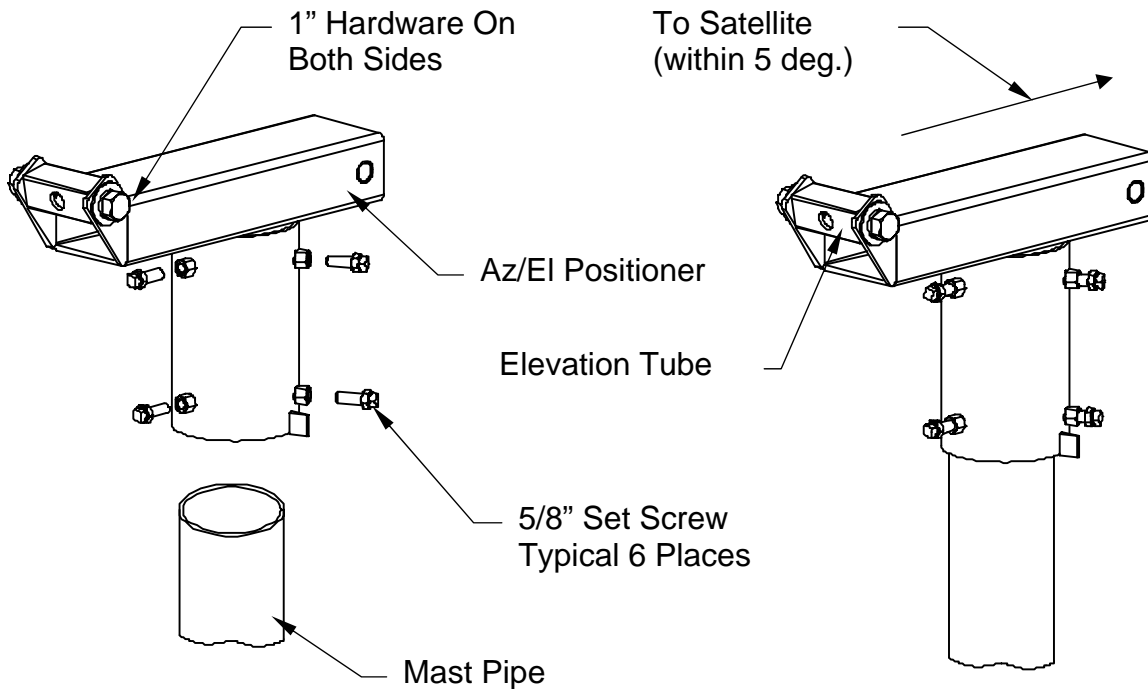
Insert the 5/8" Set Screws (ITEM #33) into the canister and slip Az/EI positioner over the mast pipe. Tighten the set screws snug against the mast pipe.

STEP 2:

Insert elevation tube using 1" hardware. Lightly tighten at this time.

STEP 3:

The positioner must be oriented correctly to the center of the satellite orbital arc. Loosen the set screws and rotate the canister on the mast pipe to the required position. Tighten the set screws then tighten the 5/8" lock nuts against the canister.



2.2 REFLECTOR PETAL ORIENTATION

The series 1250 reflector petals are labeled “A” and “B”. In the standard upright position, the antenna elevation angle range is between 5 and 90 degrees. When viewed from behind in the standard position (feed support at the bottom), the “A” petal (item 1) is on the left side and the “B” petal (item 2) is on the right side – See Fig. 1.

However, to achieve a lower profile installation or in areas of high snow accumulation, the reflector can be assembled inverted (feed support on top) with the “B” petal on the left side and the “A” petal on the right side – See Fig. 2. Please note that in either situation, the angled cross arm (item 8) must be oriented for the correct position – See Fig. 3.

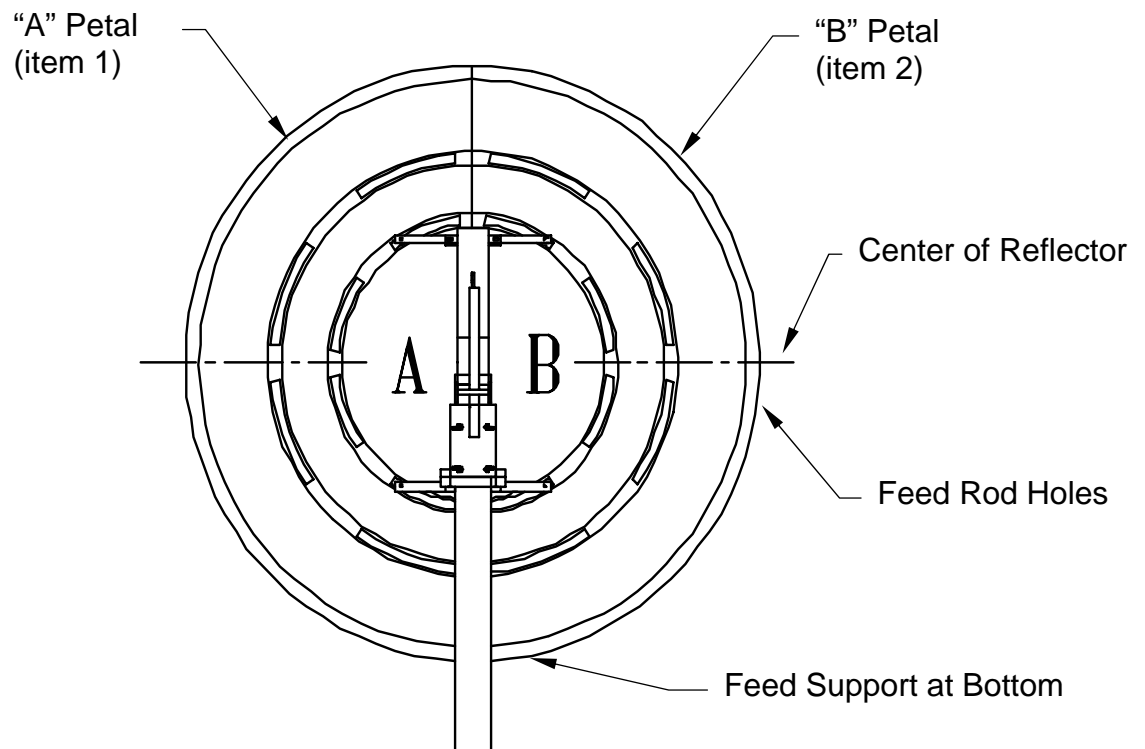


Figure 1

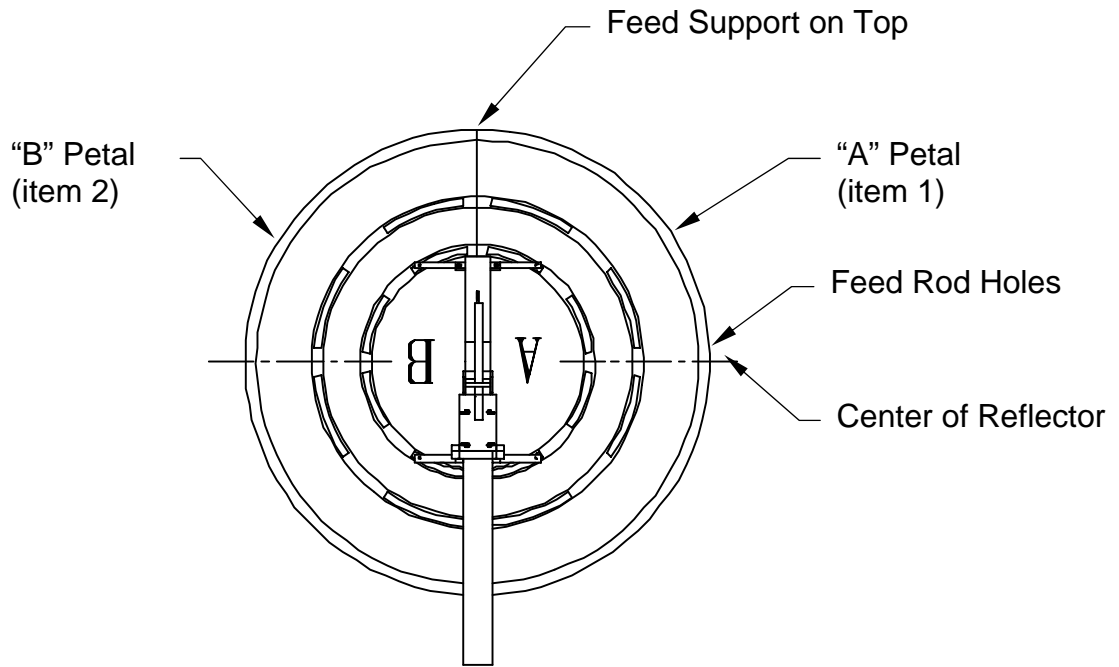


Figure 2

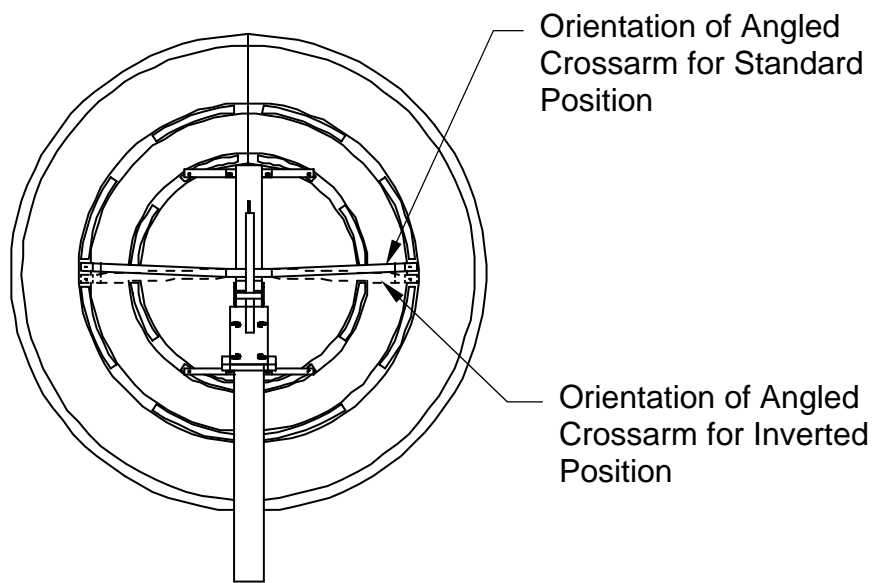
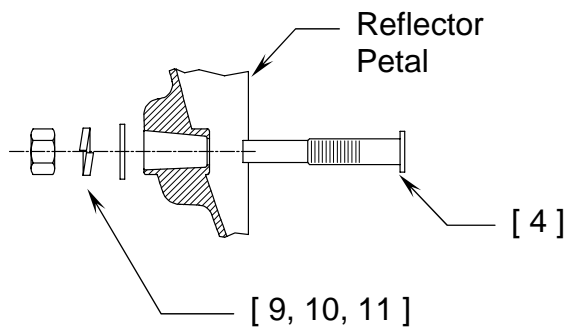


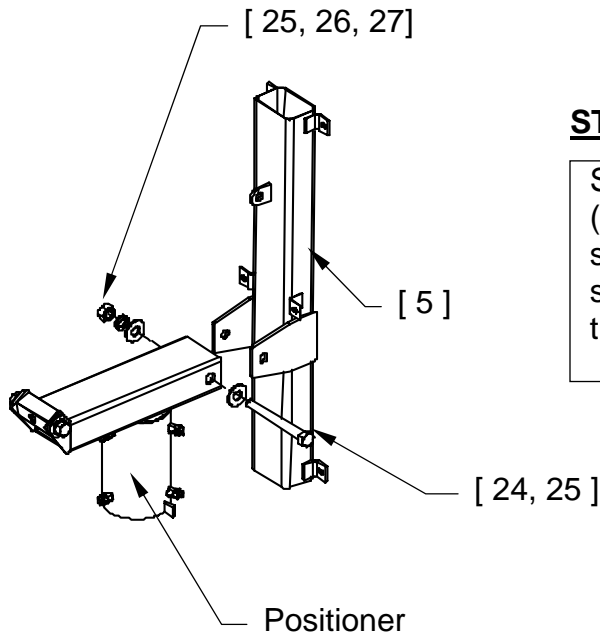
Figure 3

2.3 REFLECTOR SUPPORT ASSEMBLY



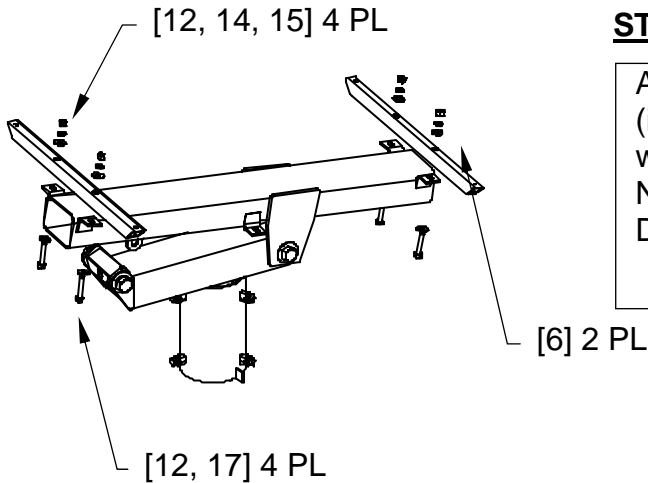
STEP 1:

Place three of the threaded inserts (item 4) thru the face of each reflector petal (items 1 & 2) and secure with 3/4" hardware (items 9, 10 & 11). Snug only, Do not completely tighten at this time.



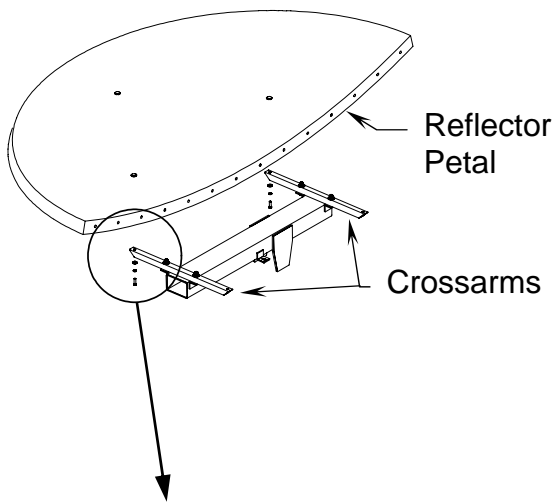
STEP 2:

Straddle the tabs of the reflector tube (item 5) over the holes in the positioner and secure using 1" bolt and hardware. Tighten snug only and let the tube fall back upon the positioner.



STEP 3:

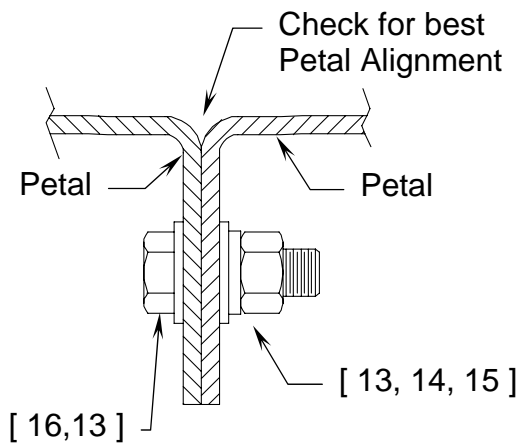
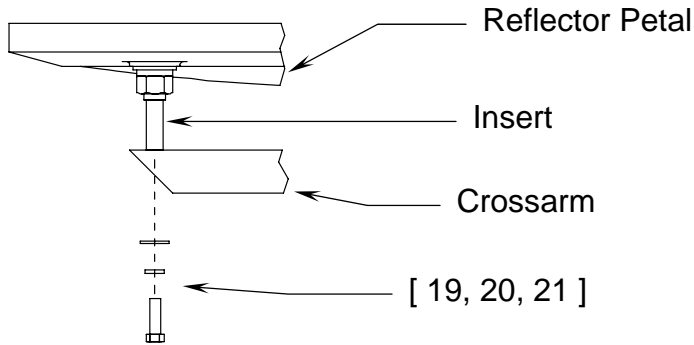
Attach the top and bottom crossarms (item 6) to the reflector support tube with 1/2" hardware (items 12,14,15,17). Note orientation of crossarms. Do not tighten.



STEP 4:

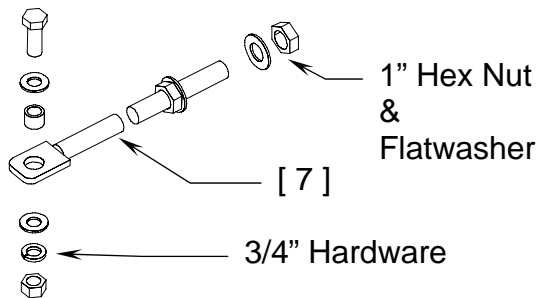
A) Place one reflector petal onto the Cross arms in either the standard or inverted position – see 2.2. Attach with 3/8" hardware (items 19,20,21) at each crossarm. **Do not tighten**

B) Place the second reflector petal on the cross arms and repeat above procedure.



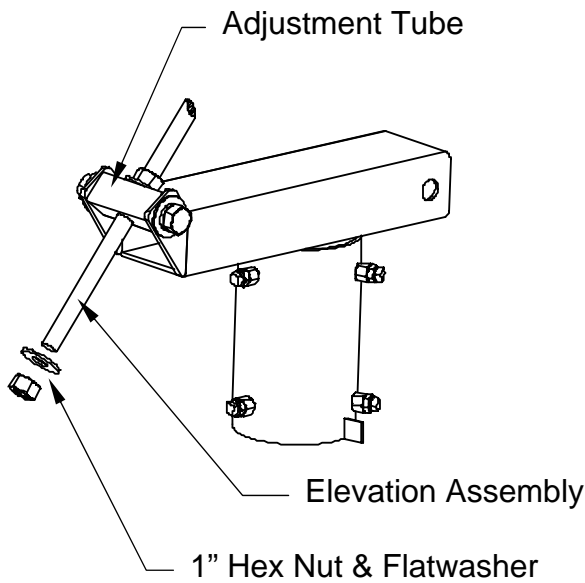
STEP 5:

Attach the two petals together with 1/2" hardware (items 13, 14, 15, 16) at the nine holes on the inner seams of the reflector petals. Tighten these bolts securely at this time while aligning the petals at the face of the reflector.



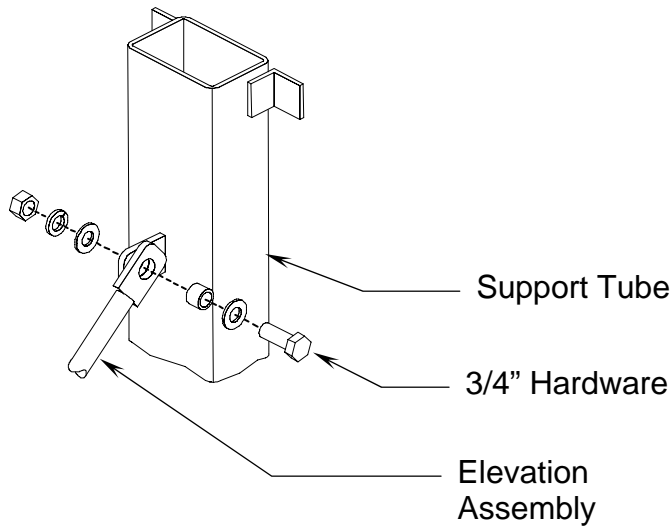
STEP 6:

Locate the elevation assembly (item 7) and remove the 3/4" hardware as well as one 1" hex nut and washer.



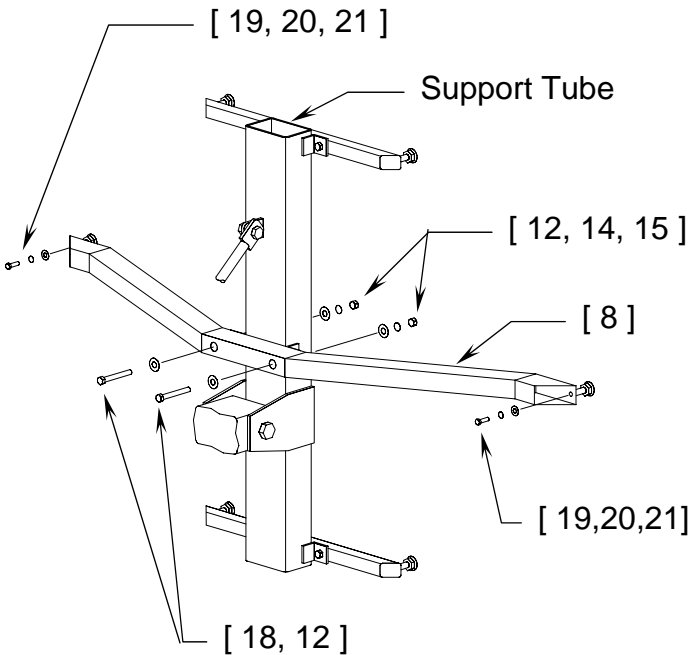
STEP 7:

Carefully swing the reflector up into a vertical position. Insert the elevation assembly (item 7) thru the elevation adjustment tube at the back of the positioner. Replace the 1" hex nut and flatwasher.



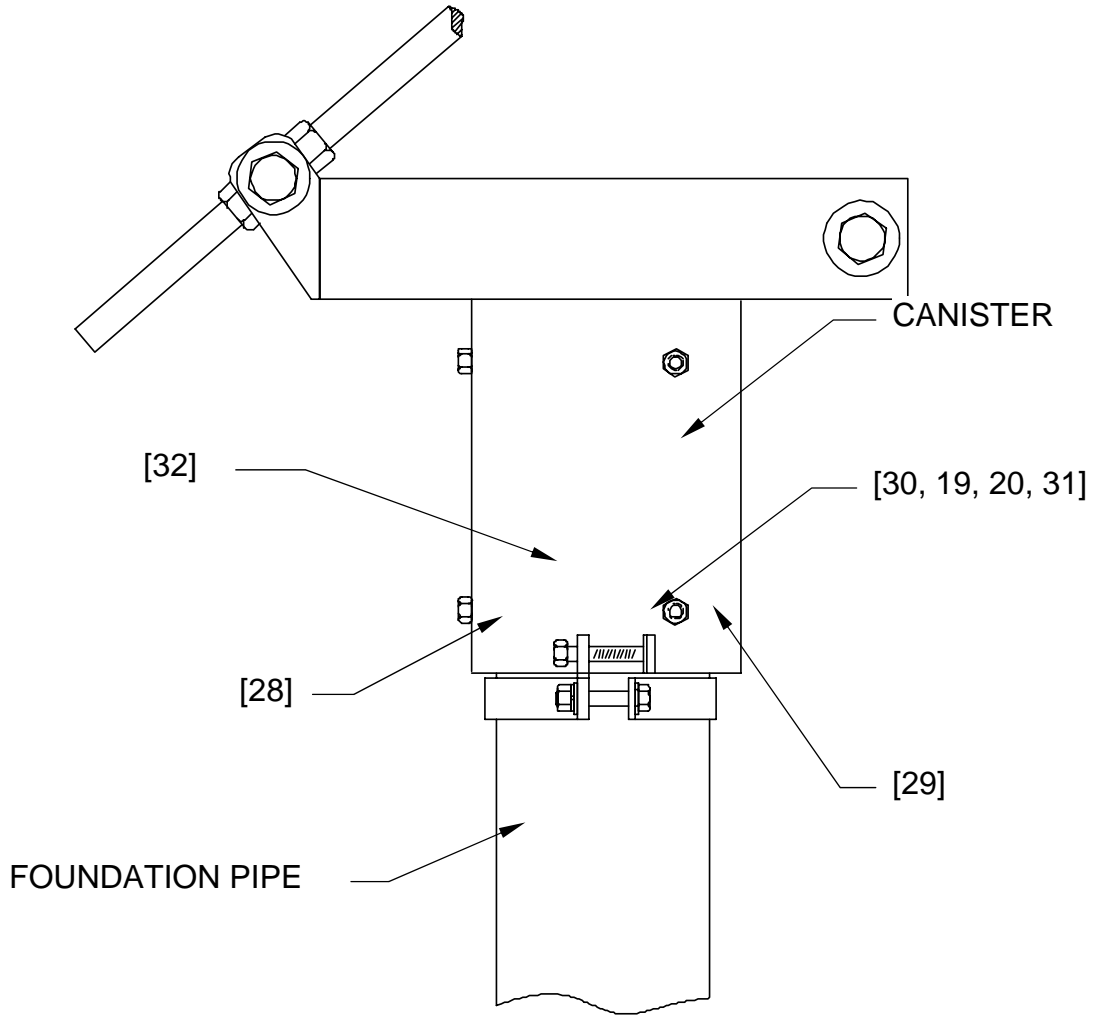
STEP 8:

Attach tabbed end of the elevation assembly to the tab on the back of the reflector support tube with the 3/4" hardware removed in step 6. Tighten securely.



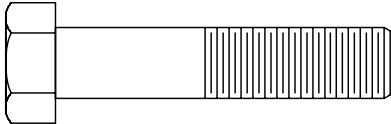
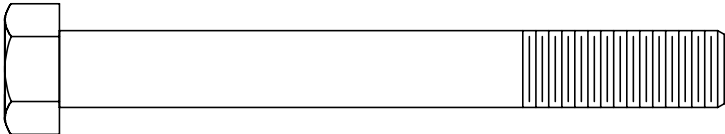
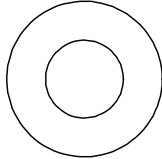
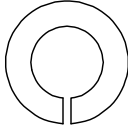
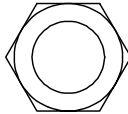
STEP 9:

- A) Attach the angled crossarm (item 8) to the reflector support tube in either the standard or inverted position depending on the reflector orientation with 1/2" hardware (items 12, 14, 15, 18).
- B) Attach the ends of the crossarm to the reflector petals at the threaded inserts with 3/8" hardware (items 19, 20, 21).
- C) Tighten the reflector support hardware by first tightening the 3/4" hardware at the six reflector inserts followed by the 3/8" bolts holding the reflector to the three crossarms. Next tighten six 1/2" bolts holding the crossarms to the reflector support tube. Do not tighten the elevation hardware until after satellite alignment.

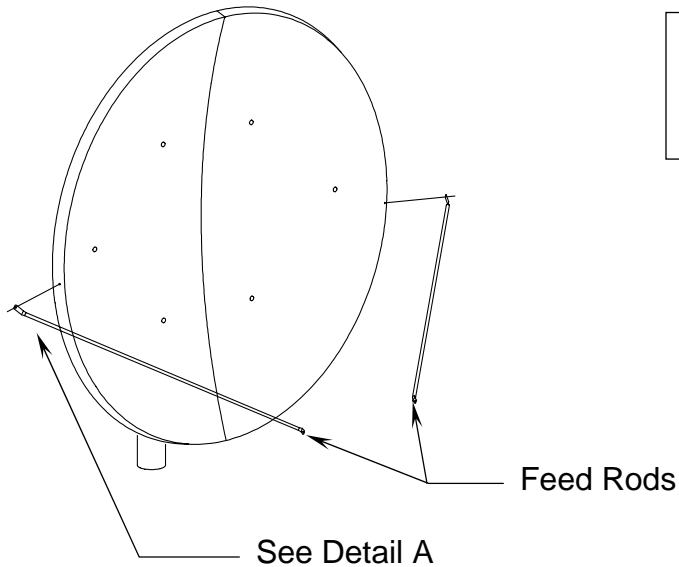


SECTION III FEED SUPPORT ASSEMBLY

The following instructions are for installing a typical C-band or Ku-band feed support to General Dynamics' 2.4 meter antenna system.

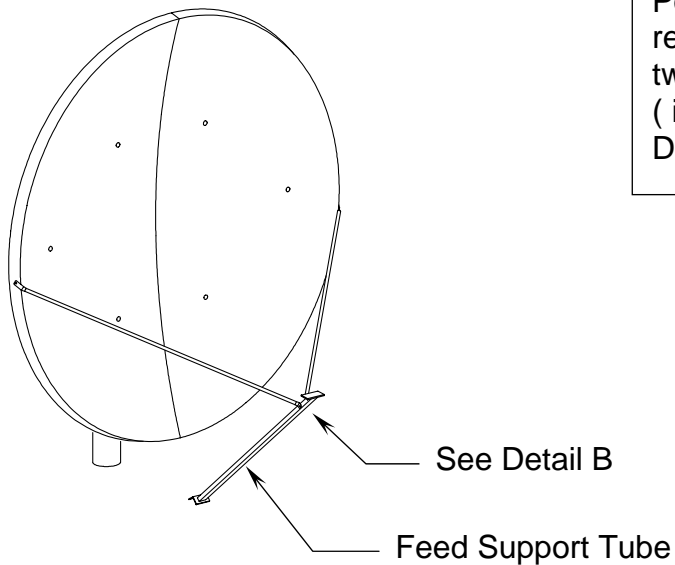
FEED SUPPORT PART LIST- TABLE 3.0			
ITEM	PART NO.	DESCRIPTION	QTY
1	VARIES	FEED SUPPORT	1
2	VARIES	FEED ROD – Ku BAND	2
3	VARIES	FEED ROD – C BAND	2
4	8032-010	3/8" x 1.25 BOLT 	4
5	8032-024	3/8" x 3.00 BOLT 	1
6	8201-042	3/8" FLATWASHER 	10
7	8202-042	3/8" LOCKWASHER 	5
8	8102-007	3/8" HEX NUT 	5

3.1 Feed Support Installation



STEP 1:

Attach the feed rods loosely to the reflector with 3/8" hardware (items- 4, 6, 7 & 8). See detail A

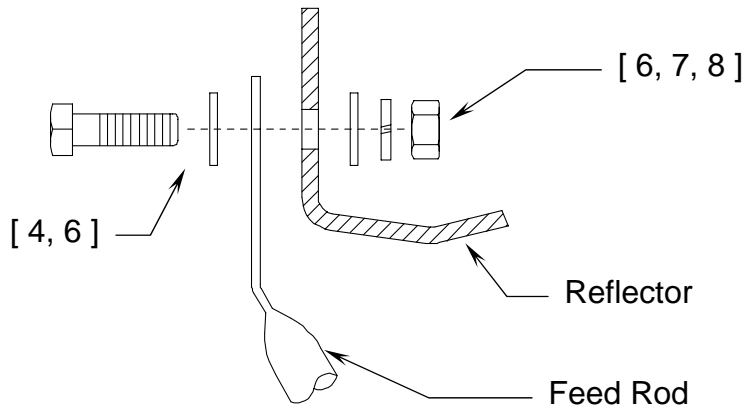
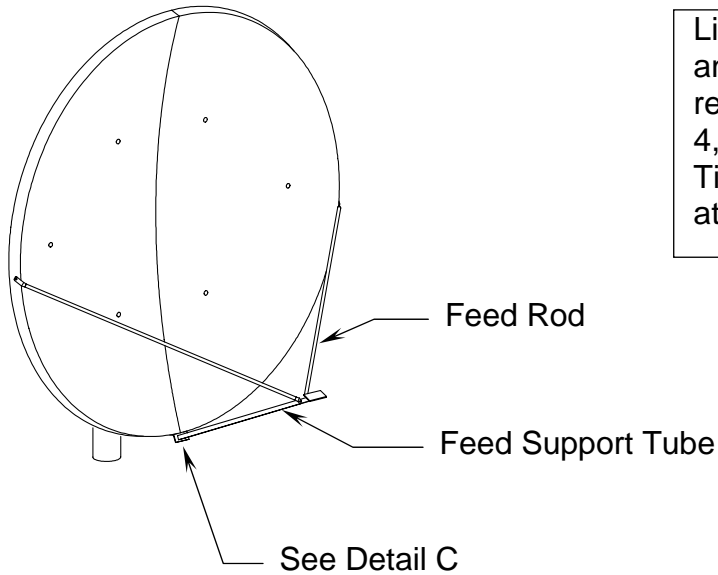


STEP 2:

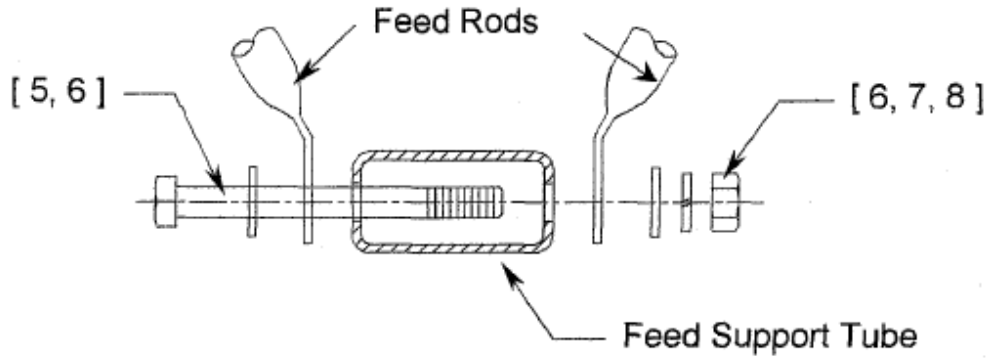
Position the feed support in front of the reflector and attach to the ends of the two feed rods with 3/8" hardware (items 5, 6, 7 & 8). See Detail B. Do not tighten.

STEP 3:

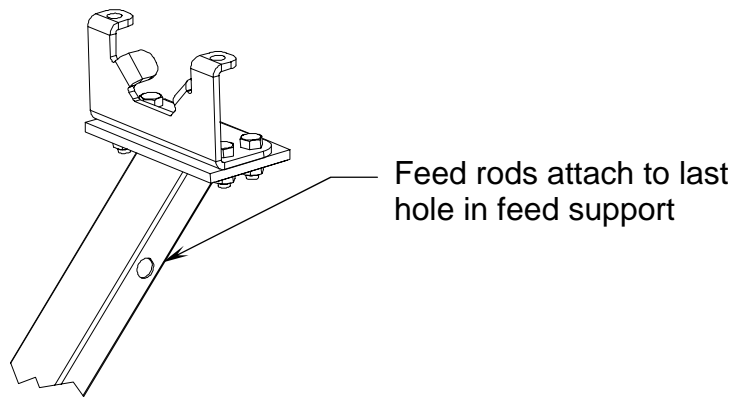
Lift the end of the feed support tube and attach to the bottom of the reflector with 3/8" hardware (items – 4, 6, 7 & 8). See Detail C.
Tighten all feed support hardware at this time.



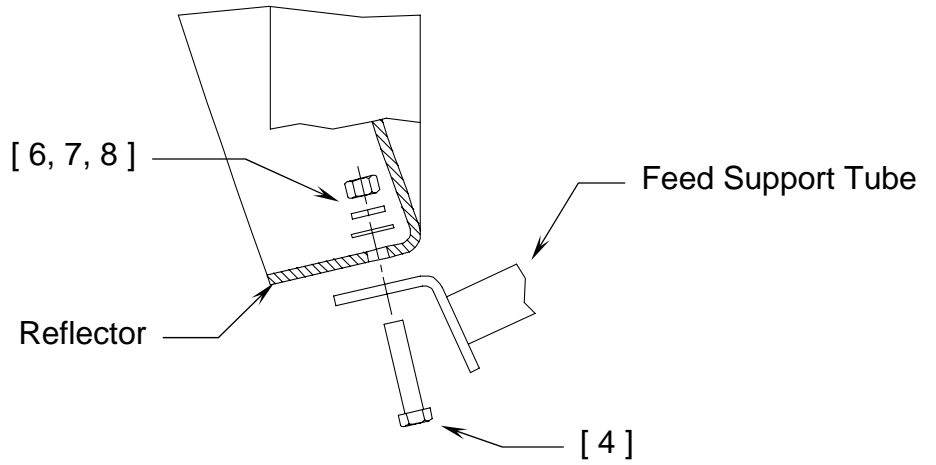
DETAIL A



DETAIL B



DETAIL C



NOTE: At this time you are ready to install your C-band or Ku-band feed system. For feed installation, reference any instructions that are enclosed with your specific feed support.

SECTION IV ANTENNA POINTING

4.0 Alignment To Satellite

The 2.4M offset reflector contains a 22.3° elevation offset angle. Therefore, when the reflector aperture is perpendicular to the ground, the antenna is actually looking 22.3° in elevation. The following alignment procedure is intended only as a general reference guide for this antenna. For proper antenna performance, accurate alignment is critical. Therefore, it is recommended that your own detailed procedure be used or contact General Dynamics' Technical Support Department for additional recommendations.

4.1 Initial Alignment

- 1) Place an inclinometer on the reflector support as shown in Figure 4. Remember to add 22.3 degrees to the reading to allow for the reflector's offset angle (or subtract 22.3 degrees if inverted)
- 2) Raise or lower the antenna to find the desired elevation by turning the 1" nuts located at the elevation block. Position the top nut so that it will not interfere with adjustment. Turn the bottom nut clockwise to increase elevation and counterclockwise to decrease elevation.
- 3) After the correct elevation angle is set, rotate the antenna in azimuth by loosening tightening the azimuth collars against the canister. Rotate azimuth until a signal is reached.
- 4) Peak the antenna signal by fine adjustments made in both azimuth and elevation.
- 5) Tighten all of the hardware used for adjustments.

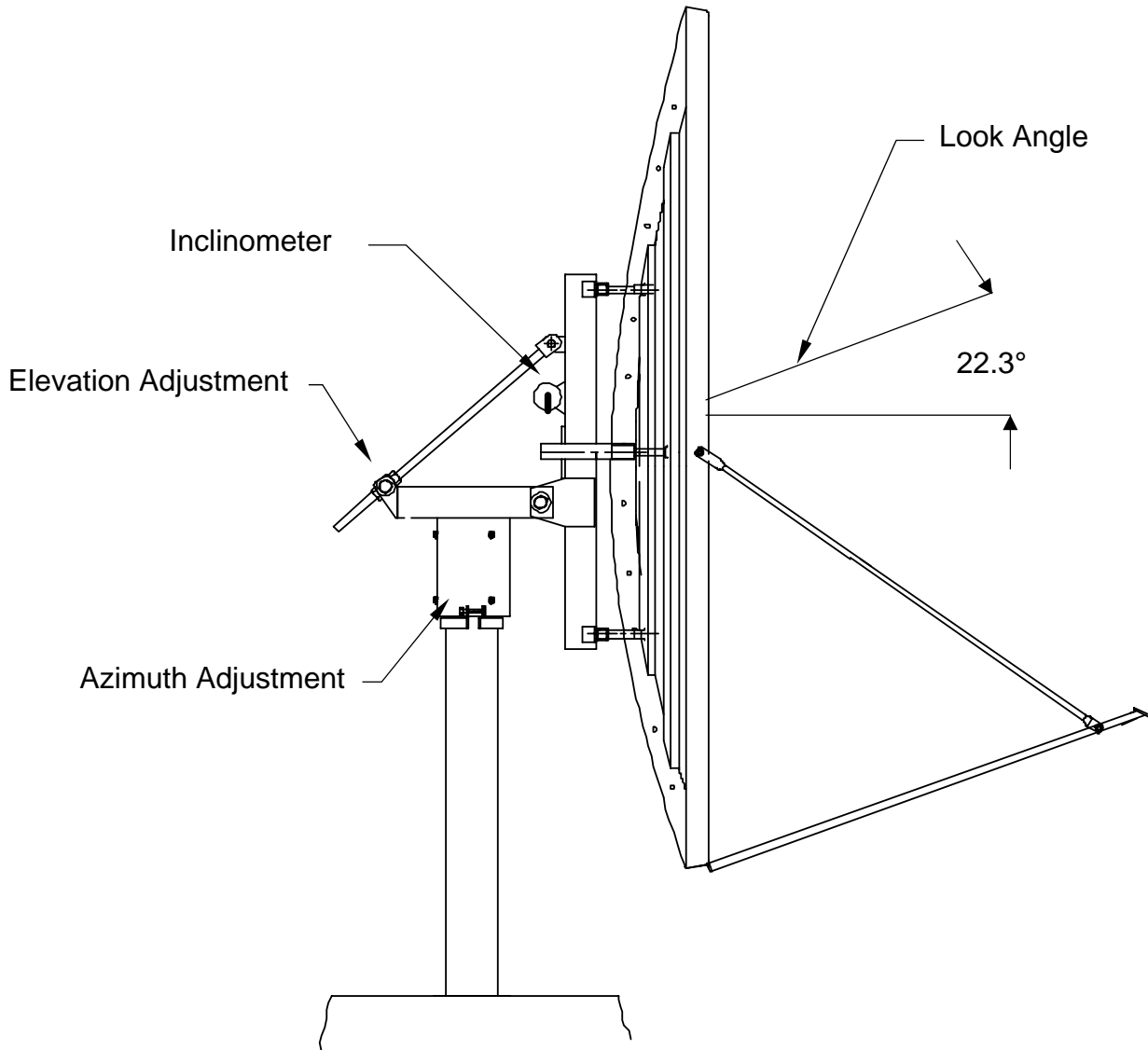


Figure 4

SECTION V MAINTENANCE

5.0 Maintenance Overview

After installation, the antenna requires only periodic inspection. It is anticipated that maintenance, if required, will be minimal and easily handled by a local or in-house maintenance staff. The materials used in the construction of this Earth Station Antenna virtually eliminate any maintenance repairs.

5.1 Periodic Inspection

It is suggested that a periodic inspection be performed at least every six months.

NOTE: After any very severe weather conditions, inspection of the antenna should be performed to determine if foreign objects have caused damage or if survival specifications have been exceeded.

This inspection should include the following:

- 1) Check all bolting locations - all bolts should be tight.
- 2) Check all structural members - repair or replace if damaged.
- 3) Check the foundation anchor bolts - they must be secure and with no failure signs in foundation.
- 4) Check for corrosion - on the reflector structure and mount.

5.2 Reflector

General Dynamics' reflector does not require any maintenance. The composite construction of the reflector is virtually impervious to any damages that could be caused by weather or other atmospheric conditions.

It is only necessary to inspect for any physical damage done by vandalism or very severe weather conditions.

Should any damage be detected to a portion of the reflector, contact the Customer Service Department at General Dynamics for recommendations involving reflector repair.

5.3 **Mount And Reflector Support Structure**

The mount and reflector support structure supplied with this antenna is of steel construction and has a hot-dipped galvanized finish.

If inspection shows any signs of structural failure, the mount members that are damaged should be repaired or replaced.

Corrosion: Any corrosion on steel members may be repaired with a cold, zinc-rich galvanizing paint.

5.4 **Feed And Feed Support**

The feed support system should be inspected to insure that all hardware is secure. The feed/radio mounting bolts should be tight.

The feed horn window should be inspected to insure that it is intact so that no moisture can collect inside the feed horn. Replace if damaged.