

GENERAL DYNAMICS
SATCOM Technologies

4096-250

April 27, 2016
REVISION G

ASSEMBLY MANUAL

2.4 & 3.8 METER FEED SYSTEM STABILIZER

General Dynamics SATCOM Technologies
1700 Cable Drive NE
Conover NC 28613 USA
Phone 770-689-2040
www.gdsatcom.com

2.4 & 3.8 METER FEED SYSTEM STABILIZER

| | | | |
|-------------|---|-------------|-----------------|
| | | | |
| G | Add Conover Address | 4/27/16 | RAH |
| F | Revised logo, name, and pictures | 5/13/09 | RAH |
| E | Revise 3.8M Hardware Page 3 | 4/1/08 | RAH |
| D | Revised Address | 1/10/02 | RAH |
| C | Mtg Bracket 0490-489 was 0490-369 | 05/07/97 | RF |
| B | Switched Item #3 and changed item 6 part no. from 8022-018 to 8032-018 | 01/21/94 | RF |
| - | ORIGINAL RELEASE | 10/16/92 | RF |
| REV. | DESCRIPTION | DATE | APPROVED |

ASSEMBLY INSTRUCTIONS

NOTE: General Dynamics' Feed Support Stabilizer is attached after the antenna system is aligned and all hardware has been securely tightened. Refer to the figures and the parts list. Follow the instructions in the listed sequence.

- STEP 1: Remove ONE feed support bolt and attach one mounting bracket (item# 1) to the feed support with a longer bolt (item# 9, supplied in the parts kit) and the original washers. Securely tighten the bolt, making sure the bracket is parallel with the feed support tube. See figure 2A for the 2.4M and 2B for the 3.8M reflector. Note: Do not loosen both feed support bolts simultaneously as this may effect the feed alignment.
- STEP 2: Place a 1/2" flatwasher (item# 10) on one post of the pivot collar (item# 2) and insert through the mount bracket. Place a 1/2" flatwasher on the opposite post of the pivot collar and attach the remaining mount bracket, as detailed in step #1, with the 1/2" nut on the swivel collar pointing away from the feed support tube. Tighten securely.
- STEP 3: Bolt the two mast collar brackets (items# 3,4) around the mast pipe with two 2.25" long bolts (item# 6), two flatwashers, two lockwashers, and two hex nuts of the appropriate size. The two mounting tabs on item# 4 go toward the feed support tube as shown in figure 3. Do not tighten.
- STEP 4: Slide the feed stabilization tube (item# 5) through the swivel collar with the drilled end towards the mast. Loosely attach the tube between the mast collar mounting tabs with the 3/8-16 x 3.00" bolt, two flatwashers, lockwasher, and 3/8-16 hex nut (items# 8,11,13,15). See figure 3.
- STEP 5: By sliding the mast collar up or down the mast, you can position the feed stabilization tube as parallel to the feed support tube as the feed components allow. See in figure 1. Tighten the mast collar hardware, keeping the stabilization tube in-line with the feed support tube.
- STEP 6: Tighten the 3" bolt in the stabilization tube, then insert the 1/2-13 x 1.50" square head screw and 1/2-13 hex nut (items# 7,14) into the swivel collar and tighten securely.
- STEP 7: Place a 1/2" flatwasher, lockwasher, and hex nut (items# 10,12,14) on each post of the swivel collar and tighten securely.

| PARTS LIST | | | | |
|------------|----------|------------------------------|------|------|
| ITEM# | PART# | DESCRIPTION | QTY | |
| | | | 2.4M | 3.8M |
| 1 | 0490-394 | MOUNTING BRACKET | 2 | |
| | 0490-489 | MOUNTING BRACKET | | 2 |
| 2 | 0490-368 | PIVOT COLLAR | 1 | |
| 3 | 0188-113 | MAST COLLAR BRACKET W/O TABS | 1 | |
| | 0188-162 | MAST COLLAR BRACKET W/O TABS | | 1 |
| 4 | 0490-393 | MAST COLLAR BRACKET W/ TABS | 1 | |
| | 0490-377 | MAST COLLAR BRACKET W/ TABS | | 1 |
| 5 | 0250-469 | FEED STABILIZATION TUBE | 1 | |
| 6 | 8032-018 | BOLT, 3/8-16 x 2.25" | 2 | 2 |
| 7 | 8317-002 | SCREW, SHCP, 1/2-13 x 1.50" | 1 | |
| 8 | 8032-032 | BOLT, 3/8-16 x 3.00" | 1 | |
| 9 | 8032-014 | BOLT, 3/8-16 x 1.75" | 2 | |
| | 8032-018 | BOLT, 3/8-16 x 2.25" | | 2 |
| 10 | 8201-043 | FLATWASHER, 1/2" | 4 | |
| 11 | 8201-042 | FLATWASHER, 3/8" | 6 | 10 |
| 12 | 8202-043 | LOCKWASHER, 1/2" | 2 | |
| 13 | 8202-042 | LOCKWASHER, 3/8" | 3 | 5 |
| 14 | 8104-007 | NUT, HEX, 1/2-13 | 3 | |
| 15 | 8102-007 | NUT, HEX, 3/8-16 | 3 | 5 |

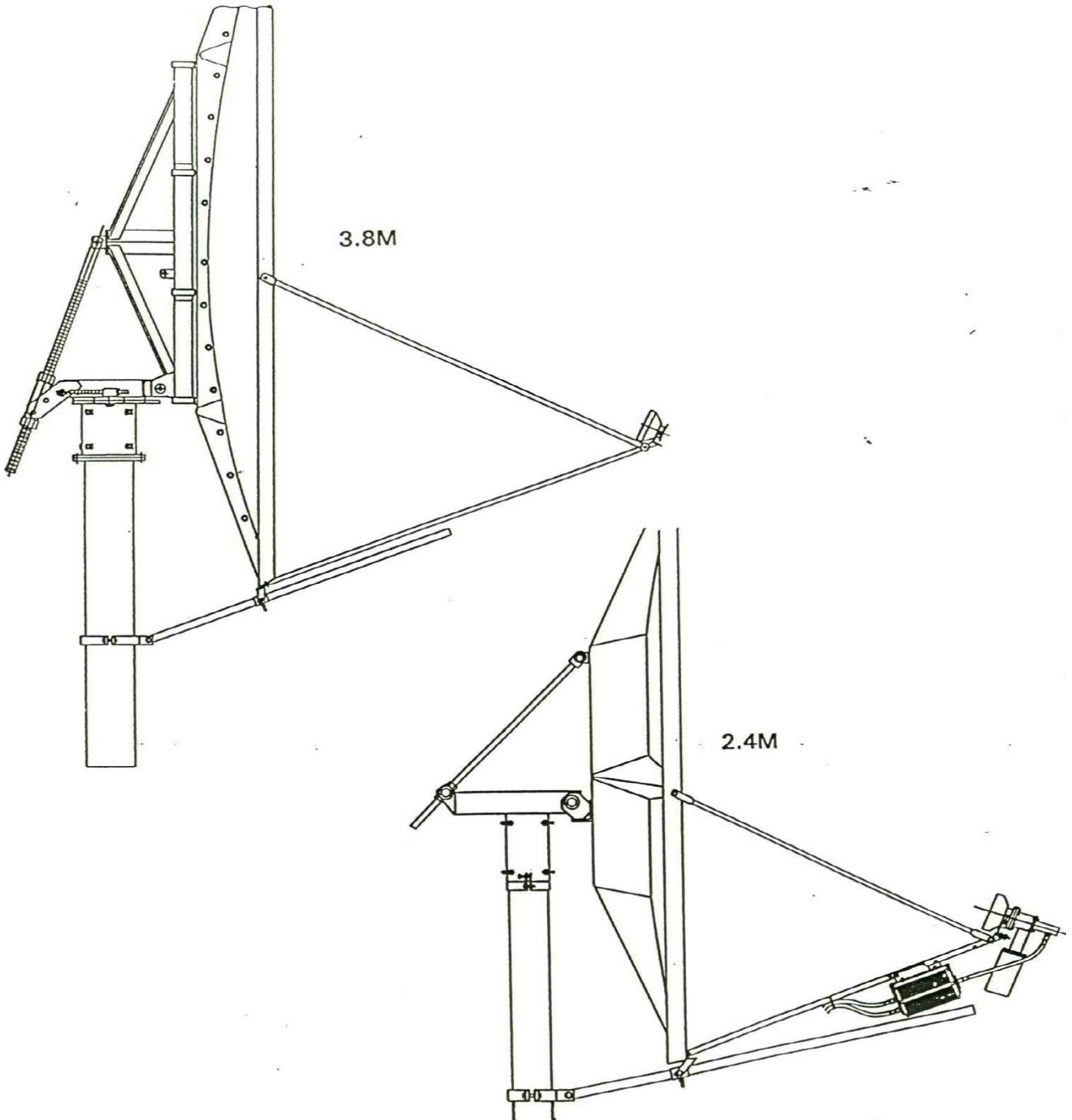


Figure 1

