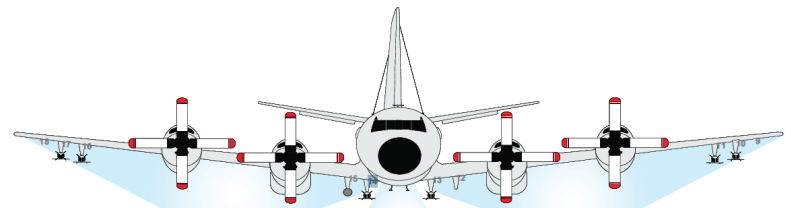


DIGITAL STORES MANAGEMENT SYSTEM (DSMS)

An advanced and highly capable stores management system
Underwater Mine Hunting Capability

Features

- U.S. Navy's next generation P-3C Stores Management System (AN/AWG-33)
- Total system control for all legacy stores and advanced precision weapons
- Flexible and expandable architecture to meet unique user requirements
- Flight-qualified, off-the-shelf hardware and software
- Stand-alone and on-line modes of operation
- Modern operator interfaces and controls
- Proven, operational software
- Highly reliable and maintainable
- Four flight-qualified variants delivered



		Wing Stations	Bay Stations	Wing Stations
Rack		✓	✓	✓
Torpedo			✓	
Rockets		✓		✓
Maverick		✓		✓
Harpoon		✓		✓
Harpoon II		✓		✓
SLAM ER		✓		✓
JDAM		✓ (Mines)		✓ (Mines)
JSOW		✓		✓
JASSM		✓		✓
Sidewinder		Growth		Growth
SDB		Growth		Growth
HARM		Growth		Growth

A tested, combat-proven heritage

General Dynamics Advanced Information systems is a leader in stores management systems (SMS) for worldwide maritime surveillance operations. Our SMS provides advanced capabilities in weapons control for the P-3C including AGM-65 Maverick and AGM-84 SLAM ER missile launch and control. General Dynamics is currently in production of the "PASER" SMS for the U.S. Navy's P-3C aircraft. As a follow-on, we have developed the next generation Digital Stores Management System (DSMS) that will give the P-3C unparalleled weapons capabilities. The DSMS will replace the existing armament control system with entirely new operator interfaces and store control hardware and software.

The DSMS launches and controls a full spectrum of advanced precision guided weapons and provides total backwards compatibility with all P-3C legacy stores.

Digital Stores Management System

General Dynamics is ready to support your system engineering, requirements management, operator interface design, system qualification, and system verification efforts for a complete weapons solution.

Full compatibility with current testers

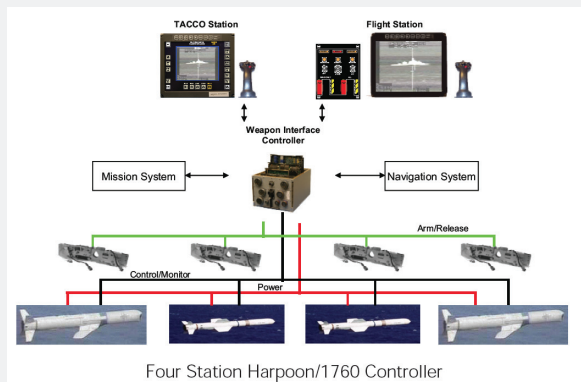
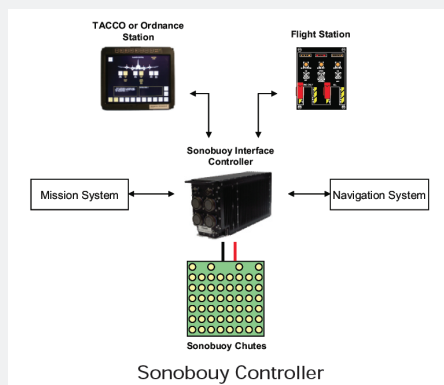
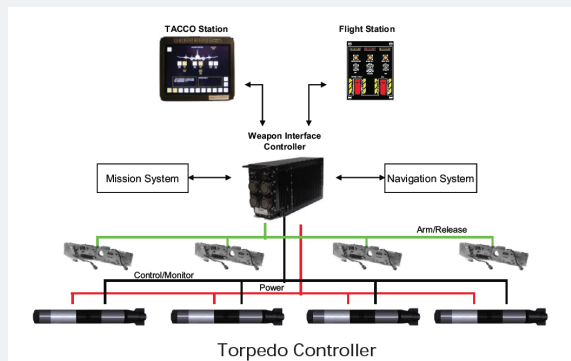
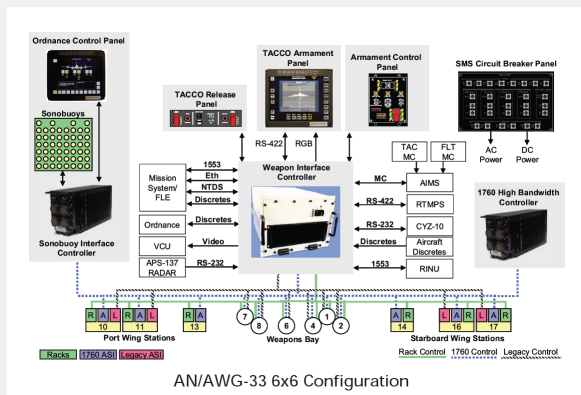
DSMS works with the P-3 standard test sets for preflight checkout of the weapons system. No new support equipment is required. DSMS supports all AN/AWM-96A, DSM/TS-3519 and MK 432 Torpedo presetter test sets.

Standards-based system

The DSMS is a full MIL-STD-1760D weapons control system that provides launch and postlaunch control of a full spectrum of current precision guided weapons. These include the J-Weapons, AGM-84 SLAM ER, AGM-65 Maverick, AGM-84 Harpoon and Harpoon Block II, and all existing P-3C legacy weapons including mines, rockets, torpedoes, and unguided free-fall weapons. The DSMS is expandable to add new MILSTD-1760 stores with no hardware impact and minimal software modification (primarily to update the operator interface). DSMS is in full support of the Universal Armament Interface initiative to provide low-cost weapons upgrades in the future.

Scalability for unique platform needs

The DSMS is based upon an open systems VME architecture. It is scalable to support an 18-station weapons system or down to a small subset such as a Torpedo or Harpoon control system. The main component of the DSMS is the Weapons Interface Controller (WIC). The WIC controls all elements of the DSMS including the operator panels and interfaces to all aircraft systems. The DSMS components communicate via standard buses and special purpose discretes to provide MIL-STD-1760 and legacy weapons interfaces. Air-cooled rugged chassis or sealed MIL-SPEC chassis are available.



GENERAL DYNAMICS
Advanced Information Systems

www.gd-ais.com